

与世界同步 创阀门科技顶峰

step with the world
create the highest science of the valve

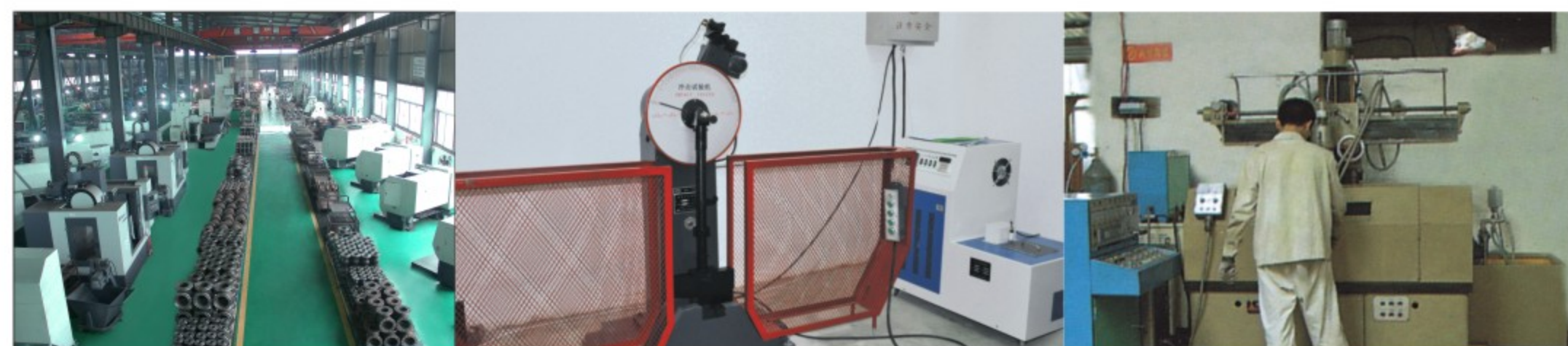
上海彬伦阀门有限公司(中美合资)
Shang Hai Bin Lun valve Co.,Ltd.(Sino US joint venture)

厂址:上海市嘉定区翔乐路68号
销售总部:上海市静安区江场三路238号(上海市北半岛国际中心)
手机: 13611652063
电话:021-51036285
传真:021-51036385
官方网站:<http://www.hydrophobicvalve.com>
企业邮箱:shblvalve@vip.163.com
联系人:石佳寅
24小时全国统一客服热线:400-021-9678



阀门选型样本
FOR VALVE SELECTION
BROCHURE

上海彬伦阀门有限公司(中美合资)
Shang Hai Bin Lun valve Co.,Ltd.(Sino US joint venture)



公司简介

BRIEF INTRODUCTION

本企业是生产制造高中压阀门、管件的专业单位，有着多年的生产经验，是中国阀门协会的网络成员。企业的工艺手段齐全，技术检测设备完善，产品经省、市质量检验部门检测鉴定均符合GB12459-90，SHJ408标准，化工部HB、HGJ、HG标准，机械部JB标准，DG系列是电力部标准，及石油部标准，API、ANSI标准。

本单位主要产品有闸阀、截止阀、球阀、蝶阀、柱塞阀、浆料阀、针型阀、安全阀、疏水阀、调节阀、旋塞阀、减压阀、水力控制阀、节流阀、电站阀、紧急切断阀、管件、法兰等产品。本产品广泛应用于石油、化工、机械、电力、造纸、制药、城市污水处理等工业管道上，同时可根据客户要求设计生产非标产品。

本单位内部有完善的管理制度，并推行全面质量管理。企业根据现代化企业发展要求，建立了ISO-9001国际质量保证体系以增强产品的市场竞争能力。

近年来开发新产品有：遥控浮球阀、减压阀、过滤器等，第二代对夹式浆料阀，带法兰蝶阀等。

本单位严格按照ISO-9001国际质量保证体系标准，以优良的产品和周到的原则，欢迎各界朋友及新老用户光临我厂参观指导。

Our company is specialized in manufacturing high and middle pressure valve and pipe fittings, and it has many producing experiences and is one of network members of China Valve Institute. What's more, it has complete technics methods and inspection equipments, so its products accord with GB12459-90, SHJ408, HB, HGJ, HG standard of Chemistry and Industry Department standard, JB standard of Mechanism Department, API, ANSI standard after test and inspection of Quality Inspection Department of City and Province.

Our main products have gate valve, globe valve, ball valve, butterfly valve, piston valve, serum valve, needle valve, safety valve, trap valve, adjust valve, plug valve, decompress valve, hydraulic control valve, throttle, power station valve, urgently cut-off valve, pipe fittings, flanges, etc. The products are widely used on the industrial pipelines such as petroleum, chemistry and industry, mechanism, electric power, paper-making, pharmacy and treatment of city sewage, etc. At the same time, we can design and manufacture non-standard products according to the customer's demands.

We have complete management system and push all-sided quality management. Also, our company has built up ISO 9001 to enhance market competitive power.

In recent years, our new products have remote control float ball valve, decompress valve, filter, etc.

Our company strictly performs ISO 9001 and welcome new and old friends and clients to come to our company with our better products and service.

目录 CONTENTS

| | |
|---|---|
| 阀门选型指南 How To Order | 1 |
| 常用中、美阀体材料适用工况参考表 China and USA common body application of the material condition reference table | 3 |
| 国内外主要材料对照表 The main materials at home and abroad table | 4 |

一、闸阀系列 Gate valve Series

| | |
|---|-------|
| 法兰闸阀 Flange Gate valve | 5-9 |
| 电动闸阀 Electric Gate valve | 10-12 |
| 气动闸阀 Pneumatic Gate valve | 13-15 |
| 水封闸阀 Water-sealed Gate valve | 16-21 |
| 排渣闸阀 Dregs-education Gate valve | 22 |
| 高温高压电站闸阀 High temperature and high pressure gate valves | 23-24 |
| 浆液阀 Slurry Valve | 25 |
| 刀型闸阀 Knife Gate valve | 26 |
| 带吹扫孔闸阀 With Ablution Holes Forming Gate Valve | 27-28 |
| 低温闸阀 Cryogenic Gate Valve | 29-31 |
| 保温闸阀 Jacket Gate Valve | 32 |
| 平板闸阀系列 Flat Gate valve | 33 |
| 单闸板平板闸阀 Thro-Conduit Gate Valve | 34-49 |
| 双闸板平板闸阀 Double-Flat Gate Valve | 50-52 |
| 美标阀门系列 API Valves | 53 |
| 磅级闸阀 ANSI Gate Valve | 54-55 |
| 磅级低温闸阀 ANSI Cryogenic Gate Valve | 56-58 |
| 锻钢闸阀 Forged Gate Valve | 59-60 |
| 弹性座密封闸阀 Flexible Seal Gate Valve | 61-62 |

二、截止阀系列 Globe valve Series

| | |
|---|-------|
| 法兰截止阀 Globe Valve | 63-65 |
| 电动截止阀 Electric Globe Valve | 66 |
| 柱塞截止阀 Plunger Globe valve | 67 |
| 水封截止阀 Water-sealed Globe valve | 68 |
| 电站截止阀 Power-station Globe valve | 69-70 |
| 低温截止阀 Cryogenic Globe valve | 71 |
| 保温截止阀 Jacket Globe valve | 72-73 |
| 节流放空截止阀 Discharge Globe valve | 74 |
| 节流截止阀 Throttle Globe valve | 75 |
| 波纹管截止阀 Bellows Globe valve | 76 |
| 德标波纹管截止阀 DIN Vellows Globe valve | 77 |
| 平衡式截止阀 Balanced Globe valve | 78 |
| 氧气专用截止阀 Oxygen Globe valve | 80 |
| 自密封式角截止阀 Self-Sealing Angle Globe valve | 81 |
| 磅级截止阀 ANSI Globe valve | 84 |
| 磅级低温截止阀 ANSI Cryogenic Globe Valve | 85 |
| 锻钢截止阀 Forged Globe valve | 86 |

三、球阀系列 Ball valve Series

| | |
|---|---------|
| 法兰球阀 Float Ball Valves | 89 |
| 固定式球阀 Trunnion-mounted Ball valves | 90-91 |
| 三通法兰球阀 TEE Ball Valves | 92-93 |
| 侧装偏心半球阀 Side biases half Ball valve | 94-96 |
| 上装偏心半球阀 UP-loaded Biased Half Ball valve | 97-98 |
| 喷煤粉专用球阀 Powder-Coal Ejection Ball valve | 99 |
| 卸灰固定球阀 Fixed cinder Ball valve | 100-101 |
| 高压对焊球阀 Butt-Weld Ball valve | 102 |
| 金属硬密封球阀 Metal Ball valve | 103-104 |
| 低温球阀 Cryogenic Ball valve | 105 |
| 保温球阀 Jacket Ball valve | 106 |
| V型调节阀 V-Regulating Ball valve | 107-108 |
| 轨道式球阀 Orbital Ball valve | 109 |
| 磅级球阀 ANSI Ball valve | 110-112 |
| 磅级固定式球阀 ANSI Trunnion-mounted Ball valve | 113-114 |
| 磅级锻钢球阀 ANSI Forged Ball valve | 115-116 |
| 磅级锻钢固定式球阀 ANSI Forged Trunnion-mounted Ball valve | 117-118 |
| 内螺纹球阀 Inside Screw Ball valve | 119 |

四、止回阀系列 Check valve Series

| | |
|--|---------|
| 旋启式止回阀 Swing Check valve | 120-122 |
| 升降式止回阀 Lift Check valve | 123-124 |
| 对夹升降式止回阀 Wafer Lift Check valve | 125 |
| 蝶形止回阀 Butterfly Check valve | 126 |
| 微阻缓闭止回阀 Low Resistance Dashpot Check valve | 127 |
| 蝶式缓冲止回阀 Dashpot Butterfly Check valve | 128 |
| 磅级止回阀 ANSI Check valve | 129-130 |
| 磅级低温止回阀 ANSI Cryogenic Check valve | 131 |
| 锻钢止回阀 Forged Check valve | 132 |

五、蝶阀系列 Butterfly valve Series

| | |
|---|---------|
| 法兰双偏心软密封蝶阀 Soft-Seal Butterfly valve | 133-134 |
| 伸缩蝶阀 Expansion Butterfly Valve | 135 |
| 中线对夹式软密封蝶阀 Center line of folder-like soft seal Butterfly valve | 136-137 |
| 多层次硬密封蝶阀 Laminated Metal-Seal Butterfly valve | 138-140 |
| 弹性金属硬密封蝶阀 Resilient Metal-to Metal Butterfly valve | 141-142 |
| 美式蝶阀 AWWA Butterfly valve | 143 |
| 信号蝶阀 Signal Butterfly valve | 144 |
| 法兰式通风蝶阀 Flanged ventilating Butterfly valve | 145 |
| 风道调节蝶阀 (通风蝶阀) Regular Butterfly valve (Aeration Butterfly valve) | 146 |
| 0.5秒液控快速关闭蝶阀 0.5 Seconds hydraulic control quick shut-off Butterfly valve | 147-148 |
| 电动圆形百叶式调节蝶阀 Round-regulating electric screen Butterfly valve | 149 |
| 电动矩形百叶式调节蝶阀 Rectangular screen-regulating electric Butterfly valve | 150 |
| 电动调节蝶阀 Electric Adjusts Butterfly Valve | 151-152 |
| 美标对夹连接金属密封蝶阀 | 153 |
| American Standard Folder Connection Metal Seal Butterfly valve | |

六、水力控制阀系列 Water Control valve Series

| | |
|--|---------|
| 遥控浮球阀 Distance Control Ball Flot Valve | 154-155 |
| 减压阀 Reducing Valve | 156 |
| 过滤活塞式缓闭止回阀 Filter Piston Closure Relief Valve | 157 |
| 安全泄压/持压阀 Safety Relief/ Hold Pressure Valve | 158 |
| 防污隔断阀 (管道倒流防止器) Anti-fouling off valve (pipe to prevent backflow device) | 159 |
| Y型过滤器 Y-Type Strainer | 160 |

七、安全阀系列 Safety valve Series

| | |
|--|---------|
| 微启式安全阀 Low-Lift Safety Valve | 161-162 |
| 全启式安全阀 Full-Lift Safety Valve | 163 |
| 双联弹簧式安全阀 Duplex Spring Safety valve | 164 |
| 紧急切断阀系列 Cut off the valve promptly | 165 |
| 气动站用紧急切断阀 Pneumatic Emergency Shut-off valve | 166 |

八、调节阀系列 Regulating valve Series

| | |
|------------------------------------|-----|
| 电动调节阀 Electric Regulating Valve | 167 |
| 气动薄膜调节阀 Pneumatic Regulating Valve | 168 |
| 手动调节阀 Regulating Valve | 169 |

九、旋塞阀系列 Ball valve Series

| | |
|-----------------------------|---------|
| 磅级旋塞阀 ANSI Plug Valve | 170-171 |
| 磅级三通旋塞阀 ANSI TEE-Plug Valve | 172 |
| 卡套式旋塞阀 Plug Valve | 173-174 |

十、疏水阀系列 Trap valve Series

| | |
|--|---------|
| 自由浮球式蒸汽疏水阀 Free Ball Float Steam Trap | 175-176 |
| 半自由浮球式蒸汽疏水阀 Free half-Ball Steam Trap | 177 |
| 圆盘式疏水阀/双金属片疏水阀 Disc Trap Valve/Bimetal Elements Steam Trap | 178 |

十一、电站阀系列 Power station valve series

| | |
|--|---------|
| 高温高压电站阀 High temperature and high pressure valve for power station | 179-180 |
| 国标电站阀门 Valve for power station as per Chinese standard | 181 |

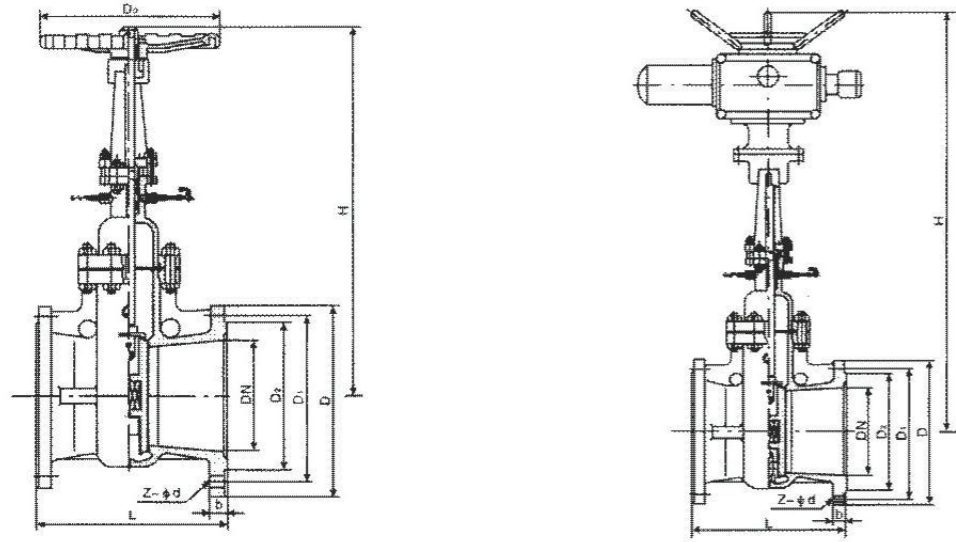
十二、衬氟阀门系列 Fluorine lined valve series

| | |
|--------------------------------|---------|
| 衬氟球阀 Fluorine lined ball valve | 182-183 |
|--------------------------------|---------|

十三、过滤器系列 Filter series

| | |
|--|-----|
| ZPG自动冲洗过滤器 Automatic washing filter | 184 |
| 平底篮式过滤器 Flat bottom basket type filter | 185 |
| 粗过滤器、Y型过滤器 Coarse, Y-Type filter | 186 |





主要外形和连接尺寸 Main External and Connection Dimension

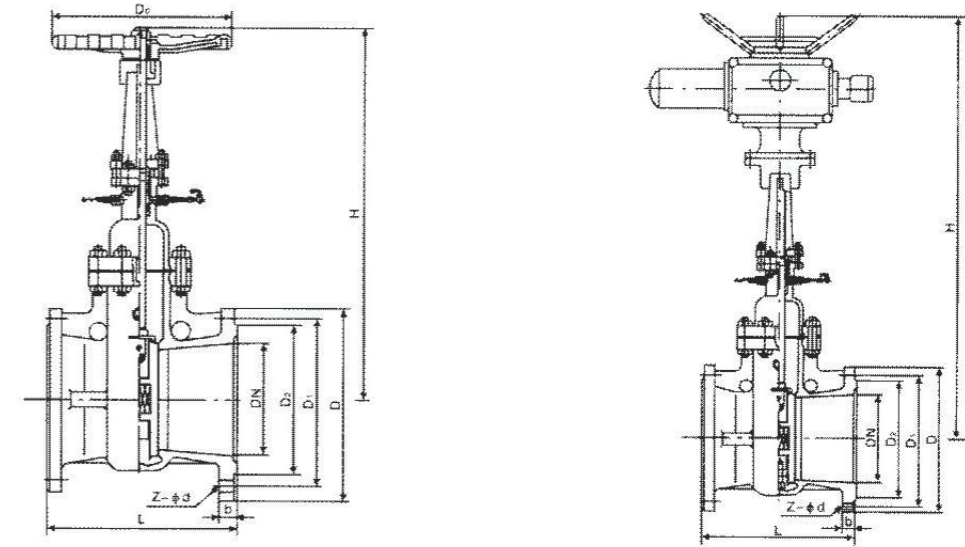
单位Unit:mm

| 产品型号 Type | 公称 口径 DN | PN1.6MPa | | | | | | | | WT (kg) | 选配电装E.A | | WT (kg) |
|--|----------------|----------|-----|----------------|----------------|--------|--------|------|----------------|------------|---------|-------|------------|
| | | L | D | D ₁ | D ₂ | b | Z-φd | H | D _o | | H | Type | |
| DS/Z44H-16C DS/Z944H-16C SZ40H-16C SZ940H-16C | 50 | 250 | 160 | 125 | 100 | 16 | 4-φ18 | 330 | 300 | 23 | 620 | DWZ10 | 50 |
| | 65 | 270 | 180 | 145 | 120 | 18 | 4-φ18 | 435 | 300 | 34 | 714 | DWZ10 | 63 |
| | 80 | 280 | 195 | 160 | 135 | 20 | 8-φ18 | 491 | 350 | 38 | 765 | DWZ10 | 65 |
| | 100 | 300 | 215 | 180 | 155 | 20 | 8-φ18 | 573 | 350 | 52 | 840 | DWZ15 | 75 |
| | 125 | 325 | 245 | 210 | 185 | 22 | 8-φ18 | 582 | 400 | 86 | 852 | DWZ15 | 106 |
| | 150 | 350 | 280 | 240 | 210 | 24 | 8-φ18 | 605 | 400 | 104 | 875 | DWZ20 | 113 |
| | 200 | 400 | 335 | 295 | 265 | 26 | 12-φ23 | 739 | 450 | 159 | 1015 | DWZ20 | 189 |
| | 250 | 450 | 405 | 355 | 320 | 30 | 12-φ25 | 862 | 550 | 200 | 1125 | DWZ30 | 214 |
| | 300 | 500 | 460 | 410 | 375 | 30 | 12-φ25 | 990 | 650 | 258 | 1371 | DWZ45 | 353 |
| | 350 | 550 | 520 | 470 | 435 | 34 | 16-φ25 | 1139 | 750 | 501 | 1485 | DWZ60 | 602 |
| 400 | 600 | 580 | 525 | 485 | 36 | 16-φ30 | 1523 | 850 | 605 | 1890 | DWZ60 | 698 | |

主要外形和连接尺寸 Main External and Connection Dimension

单位Unit:mm

| 产品型号 Type | 公称 口径 DN | PN2.5MPa | | | | | | | | WT (kg) | 选配电装E.A | | WT (kg) |
|--|----------------|----------|-----|----------------|----------------|--------|--------|------|----------------|------------|---------|-------|------------|
| | | L | D | D ₁ | D ₂ | b | Z-φd | H | D _o | | H | Type | |
| DS/Z44H-25 DS/Z944H-25 SZ40H-25 SZ940H-25 | 50 | 250 | 160 | 125 | 100 | 20 | 4-φ18 | 330 | 300 | 25 | 620 | DWZ10 | 54 |
| | 65 | 270 | 180 | 145 | 120 | 22 | 8-φ18 | 435 | 300 | 36 | 714 | DWZ10 | 66 |
| | 80 | 280 | 195 | 160 | 135 | 22 | 8-φ18 | 491 | 350 | 42 | 765 | DWZ10 | 68 |
| | 100 | 300 | 230 | 190 | 160 | 24 | 8-φ23 | 573 | 350 | 55 | 840 | DWZ15 | 80 |
| | 125 | 325 | 270 | 220 | 188 | 28 | 8-φ25 | 582 | 400 | 89 | 852 | DWZ20 | 109 |
| | 150 | 350 | 300 | 250 | 218 | 30 | 8-φ25 | 605 | 400 | 110 | 875 | DWZ20 | 146 |
| | 200 | 400 | 360 | 310 | 278 | 34 | 12-φ25 | 739 | 450 | 162 | 1015 | DWZ30 | 191 |
| | 250 | 450 | 425 | 370 | 332 | 36 | 12-φ30 | 862 | 550 | 210 | 1125 | DWZ30 | 219 |
| | 300 | 500 | 485 | 430 | 390 | 40 | 16-φ30 | 990 | 650 | 266 | 1371 | DWZ45 | 257 |
| | 350 | 550 | 550 | 490 | 448 | 44 | 16-φ34 | 1139 | 750 | 515 | 1485 | DWZ60 | 607 |
| 400 | 600 | 610 | 550 | 505 | 48 | 16-φ34 | 1523 | 850 | 620 | 1890 | DWZ60 | 705 | |



主要外形和连接尺寸 Main External and Connection Dimension

单位Unit:mm

| 产品型号 Type | 公称 口径 DN | PN4.0MPa | | | | | | | | WT (kg) | 选配电装E.A | | WT (kg) |
|--|----------------|----------|-----|----------------|----------------|--------|--------|------|----------------|------------|---------|--------|------------|
| | | L | D | D ₁ | D ₂ | b | Z-φd | H | D _o | | H | Type | |
| DS/Z44H-40 DS/Z944H-40 SZ44H-40 SZ944H-40 | 50 | 250 | 160 | 125 | 100 | 20 | 4-φ18 | 330 | 300 | 27 | 620 | DWZ10 | 55 |
| | 65 | 270 | 180 | 145 | 120 | 22 | 8-φ18 | 435 | 300 | 38 | 714 | DWZ10 | 65 |
| | 80 | 280 | 195 | 160 | 135 | 22 | 8-φ18 | 491 | 350 | 42 | 765 | DWZ15 | 70 |
| | 100 | 300 | 230 | 190 | 160 | 24 | 8-φ23 | 573 | 350 | 57 | 840 | DWZ20 | 86 |
| | 125 | 325 | 270 | 220 | 188 | 26 | 8-φ25 | 582 | 400 | 91 | 852 | DWZ20 | 120 |
| | 150 | 350 | 300 | 250 | 218 | 30 | 8-φ25 | 605 | 400 | 110 | 875 | DWZ30 | 138 |
| | 200 | 400 | 375 | 320 | 282 | 38 | 12-φ30 | 739 | 450 | 169 | 1015 | DWZ30 | 200 |
| | 250 | 450 | 445 | 385 | 345 | 42 | 12-φ34 | 862 | 550 | 207 | 1225 | DWZ40 | 290 |
| | 300 | 500 | 510 | 450 | 400 | 46 | 16-φ34 | 990 | 650 | 266 | 1371 | DWZ60 | 383 |
| | 350 | 550 | 570 | 510 | 465 | 52 | 16-φ34 | 1139 | 750 | 513 | 1507 | DWZ90I | 601 |
| 400 | 600 | 655 | 585 | 535 | 58 | 16-φ41 | 1523 | 850 | 627 | 1912 | DWZ120 | 866 | |

主要外形和连接尺寸 Main External and Connection Dimension

单位Unit:mm

| 产品型号 Type | 公称通径 DN | PN6.4MPa | | | | | | | | | | WT (kg) |
|--|------------|----------|-----|----------------|----------------|----------------|--------|--------|------|----------------|------|------------|
| | | L | D | D ₁ | D ₂ | D ₆ | b | Z-Φd | H | H ₁ | Do | |
| CZ6s40Y-64 CZ6s40Y-64P CZ6s40Y-64R | 50 | 250 | 175 | 135 | 105 | 88 | 26 | 4-Φ23 | 950 | 570 | 200 | 48 |
| | 65 | 280 | 200 | 160 | 130 | 110 | 28 | 8-Φ23 | 1050 | 596 | 200 | 75 |
| | 80 | 310 | 210 | 170 | 140 | 121 | 30 | 8-Φ23 | 1080 | 635 | 250 | 93 |
| | 100 | 350 | 250 | 200 | 168 | 150 | 32 | 8-Φ23 | 1145 | 645 | 320 | 120 |
| | 125 | 400 | 295 | 240 | 202 | 176 | 36 | 8-Φ30 | 1250 | 700 | 400 | 168 |
| | 150 | 450 | 340 | 280 | 240 | 204 | 38 | 8-Φ34 | 1330 | 750 | 400 | 216 |
| | 200 | 550 | 405 | 345 | 300 | 260 | 44 | 12-Φ34 | 1660 | 940 | 400 | 336 |
| | 250 | 650 | 470 | 400 | 352 | 313 | 48 | 12-Φ41 | 1820 | 1050 | 450 | 396 |
| | 300 | 750 | 530 | 460 | 412 | 364 | 54 | 16-Φ41 | 1990 | 1150 | 450 | 638 |
| | 350 | 850 | 595 | 525 | 475 | 422 | 60 | 16-Φ41 | 2110 | 1190 | 500 | 810 |
| | 400 | 950 | 670 | 585 | 525 | 474 | 66 | 16-Φ48 | 2335 | 1370 | 550 | 1140 |
| | 450 | 1050 | 670 | 630 | 570 | 524 | 70 | 20-Φ48 | 2490 | 1500 | 550 | 1510 |
| 500 | 1150 | 800 | 705 | 560 | 575 | 70 | 20-Φ54 | 2640 | 1590 | 550 | 1920 | |
| 600 | 1350 | 930 | 820 | 750 | 678 | 76 | 20-Φ58 | 2940 | 1720 | 600 | 2280 | |

主要外形和连接尺寸 Main External and Connection Dimension

单位Unit:mm

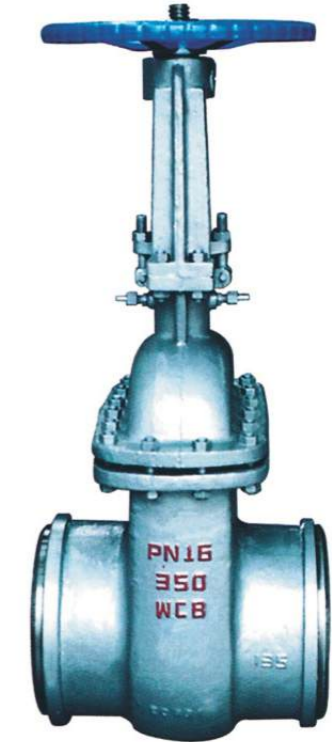
| 产品型号 Type | 公称通径 DN | PN10.0MPa | | | | | | | | | | WT (kg) |
|---|------------|-----------|-----|----------------|----------------|----------------|--------|--------|------|----------------|------|------------|
| | | L | D | D ₁ | D ₂ | D ₆ | b | Z-Φd | H | H ₁ | Do | |
| Cz6s40Y-100 CZ6s40Y-100P CZ6s40Y-100R | 50 | 250 | 195 | 145 | 112 | 88 | 28 | 4-Φ25 | 950 | 570 | 200 | 55 |
| | 65 | 280 | 220 | 170 | 138 | 110 | 32 | 8-Φ25 | 1050 | 596 | 200 | 86 |
| | 80 | 320 | 230 | 180 | 148 | 121 | 34 | 8-Φ25 | 1080 | 635 | 250 | 104 |
| | 100 | 350 | 265 | 210 | 172 | 150 | 38 | 8-Φ30 | 1145 | 645 | 320 | 136 |
| | 125 | 400 | 310 | 250 | 210 | 176 | 42 | 8-Φ34 | 1250 | 700 | 400 | 177 |
| | 150 | 450 | 350 | 290 | 250 | 204 | 46 | 12-Φ34 | 1330 | 750 | 400 | 229 |
| | 200 | 550 | 430 | 360 | 312 | 260 | 54 | 12-Φ41 | 1660 | 940 | 450 | 350 |
| | 250 | 650 | 500 | 430 | 382 | 313 | 60 | 12-Φ41 | 1820 | 1050 | 450 | 430 |
| | 300 | 750 | 585 | 500 | 442 | 364 | 70 | 16-Φ48 | 1990 | 1150 | 500 | 652 |
| | 350 | 850 | 655 | 560 | 498 | 422 | 76 | 16-Φ54 | 2110 | 1190 | 550 | 890 |
| | 400 | 950 | 715 | 620 | 558 | 474 | 80 | 16-Φ54 | 2335 | 1370 | 550 | 1210 |
| | 450 | 1050 | 770 | 675 | 615 | 524 | 84 | 16-Φ58 | 2485 | 1500 | 600 | 1680 |
| 500 | 1150 | 870 | 760 | 690 | 576 | 90 | 20-Φ58 | 2640 | 1590 | 600 | 2100 | |
| 600 | 1350 | 990 | 875 | 800 | 678 | 95 | 24-Φ58 | 2940 | 1720 | 800 | 2390 | |

主要特点

- ※全通径, 明杆带支架
- ※中法兰螺栓连接
- ※弹性双闸板
- ※填料室带0.6MPa水密封结构
- ※系统与大气隔绝, 气密性好
- ※标准法兰连接
- ※对焊连接

CHIEF FEATURES

- ※FULL PORT, OUTSIDE SCREW AND YOKE (LS&Y)
- ※BOLTED BONNET
- ※FLEXIBLE DOUBLE WEDGE
- ※RISING STEM AND NON-RISING HANDWHEEL
- ※PACKING CHAMBER WITH 0.6MPa WATER SEAL STRUCTURE
- ※SYSTEM ISOLATION FROM AIR, AIR SEAL WELL
- ※FLANGED ENDS
- ※BUTT-WELDING ENDS

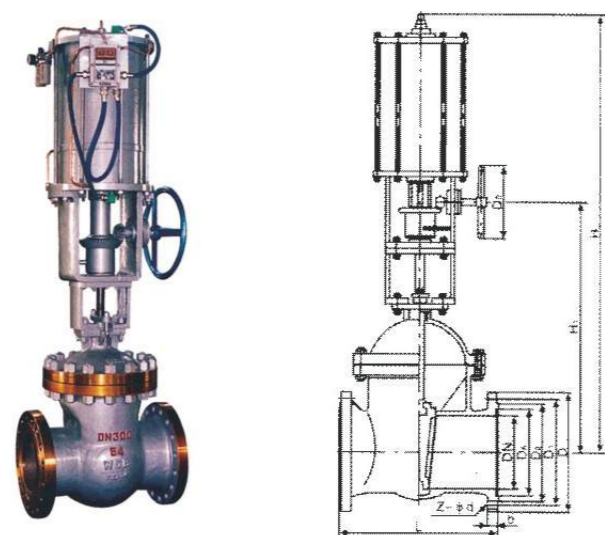


产品规范 Product Specification

| 产品规范 Product Specification | 设计规范 Design Spec. | 结构长度 Face to Face | 连接法兰 Flange End | 试验与检验 Test & Check | 压力-温度 Pressure-Temp | 产品标识 Marking | 供货规范 Supply |
|-------------------------------|----------------------|----------------------|--------------------|-----------------------|------------------------|-----------------|----------------|
| | GB/T 12234 | GB/T 12221 | GB/T 79 | GB/T 9092 | GB 9131 | GB/T 12220 | JB/T 7928 |

主要零部件材料 Main Part Material

| 零件名称 | 零部件材料 Part Material | | Part Name |
|-------|--------------------------------|---------------------|-----------------|
| 阀体/阀盖 | WCB | 1Cr5Mo | Body/Bonnet |
| 闸板 | WCB | 1Cr5Mo | Wedge |
| 阀杆 | 2Cr13 | 25Cr2MoV | Stem |
| 密封副 | HF+HF/STL+STL | STL+STL | Hard Trim |
| 填料 | 柔性石墨/Flexible Graphite | | Packing |
| 垫片 | 18-8柔性石墨/18-8Flexible Graphite | | Gasket |
| 螺栓 | 35 | 35CrMo | Bolt |
| 适用温度 | -29~425℃ | -29~540℃ | Suitable Temp |
| 适用介质 | 水、油品、蒸汽 Water, Oil, Steam | 蒸汽、油品 Steam, Oil | Suitable Medium |



主要外形和连接尺寸 Main External and Connection Dimension

单位Unit:mm

| 产品型号 Type | 公称通径 DN | PN1.6MPa | | | | | | | | | WT (kg) |
|--------------|------------|----------|------|----------------|----------------|----|--------|------|----------------|-----|------------|
| | | L | D | D ₁ | D ₂ | b | Z-φd | H | H ₁ | Do | |
| CZA6s40H-16C | 50 | 250 | 160 | 125 | 100 | 16 | 4-φ18 | 950 | 570 | 180 | 36 |
| | 65 | 270 | 180 | 145 | 120 | 18 | 4-φ18 | 1050 | 596 | 180 | 53 |
| | 80 | 280 | 195 | 160 | 135 | 20 | 8-φ18 | 1080 | 635 | 200 | 72 |
| | 100 | 300 | 215 | 180 | 155 | 20 | 8-φ18 | 1145 | 645 | 250 | 90 |
| | 125 | 325 | 245 | 210 | 185 | 22 | 8-φ18 | 1240 | 685 | 250 | 120 |
| | 150 | 350 | 280 | 240 | 210 | 24 | 8-φ18 | 1300 | 720 | 320 | 132 |
| | 200 | 400 | 335 | 295 | 265 | 26 | 12-φ23 | 1660 | 940 | 400 | 258 |
| | 250 | 450 | 405 | 355 | 320 | 30 | 12-φ25 | 1790 | 1020 | 400 | 297 |
| | 300 | 500 | 460 | 410 | 375 | 30 | 12-φ25 | 1990 | 1150 | 450 | 420 |
| | 350 | 550 | 520 | 470 | 435 | 34 | 16-φ25 | 2090 | 1170 | 450 | 558 |
| CZA6s40Y-16P | 400 | 600 | 580 | 525 | 485 | 36 | 16-φ30 | 2290 | 1325 | 500 | 540 |
| | 450 | 650 | 640 | 585 | 545 | 40 | 20-φ30 | 2485 | 1465 | 500 | 1110 |
| | 500 | 700 | 705 | 650 | 608 | 44 | 20-φ34 | 2640 | 1590 | 550 | 1380 |
| | 600 | 800 | 840 | 770 | 718 | 48 | 20-φ41 | 2940 | 1720 | 550 | 1620 |
| | 700 | 900 | 910 | 840 | 788 | 50 | 24-φ41 | 3450 | 1960 | 600 | 1966 |
| | 800 | 1000 | 1020 | 950 | 898 | 52 | 24-φ41 | 3650 | 2190 | 600 | 2282 |
| | 900 | 1100 | 1120 | 1050 | 998 | 54 | 28-φ41 | 3815 | 2400 | 800 | 2495 |
| | 1000 | 1200 | 1255 | 1170 | 1110 | 56 | 28-φ48 | 4000 | 2650 | 800 | 2760 |

主要外形和连接尺寸 Main External and Connection Dimension

单位Unit:mm

| 产品型号 Type | 公称通径 DN | PN2.5MPa | | | | | | | | | WT (kg) |
|--------------|------------|----------|------|----------------|----------------|----|--------|------|----------------|-----|------------|
| | | L | D | D ₁ | D ₂ | b | Z-φd | H | H ₁ | Do | |
| CZA6s40H-25 | 50 | 250 | 160 | 125 | 100 | 20 | 4-φ18 | 950 | 570 | 180 | 38 |
| | 65 | 270 | 180 | 145 | 120 | 22 | 8-φ18 | 1050 | 596 | 180 | 55 |
| | 80 | 280 | 195 | 160 | 135 | 22 | 8-φ18 | 1080 | 635 | 200 | 76 |
| | 100 | 300 | 230 | 190 | 160 | 24 | 8-φ23 | 1145 | 645 | 250 | 94 |
| | 125 | 325 | 270 | 220 | 188 | 28 | 8-φ25 | 1210 | 685 | 250 | 126 |
| | 150 | 350 | 300 | 250 | 218 | 30 | 8-φ25 | 1300 | 720 | 320 | 136 |
| | 200 | 400 | 360 | 320 | 278 | 34 | 12-φ25 | 1660 | 940 | 400 | 265 |
| | 250 | 450 | 425 | 370 | 332 | 36 | 12-φ30 | 1790 | 1020 | 400 | 300 |
| | 300 | 500 | 485 | 430 | 390 | 50 | 16-φ30 | 1990 | 1150 | 450 | 436 |
| | 350 | 550 | 550 | 490 | 448 | 44 | 16-φ34 | 2090 | 1170 | 450 | 580 |
| CZA6s40H-25P | 400 | 600 | 610 | 550 | 505 | 48 | 16-φ34 | 2290 | 1325 | 500 | 860 |
| | 450 | 650 | 660 | 600 | 555 | 50 | 20-φ34 | 2485 | 1465 | 500 | 1260 |
| | 500 | 700 | 730 | 660 | 610 | 52 | 20-φ41 | 2640 | 1590 | 550 | 1420 |
| | 600 | 800 | 840 | 770 | 718 | 56 | 20-φ41 | 2940 | 1720 | 550 | 1710 |
| | 700 | 900 | 955 | 875 | 815 | 60 | 24-φ48 | 3450 | 1960 | 600 | 2105 |
| | 800 | 1000 | 1070 | 990 | 930 | 64 | 24-φ48 | 3650 | 2190 | 600 | 2310 |
| | 900 | 1100 | 1180 | 1090 | 1025 | 66 | 28-φ54 | 3815 | 2400 | 800 | 2620 |
| | 1000 | 1200 | 1305 | 1210 | 1140 | 68 | 28-φ58 | 4000 | 2650 | 800 | 2960 |

主要外形和连接尺寸 Main External and Connection Dimension

单位Unit:mm

| 产品型号 Type | 公称通径 DN | PN4.0MPa | | | | | | | | | WT (kg) | |
|--------------|------------|----------|-----|----------------|----------------|----------------|----|--------|------|----------------|------------|------|
| | | L | D | D ₁ | D ₂ | D ₆ | b | Z-φd | H | H ₁ | | Do |
| CZ6s40H-40 | 50 | 250 | 160 | 125 | 100 | 88 | 20 | 4-φ18 | 950 | 570 | 200 | 42 |
| | 65 | 280 | 180 | 145 | 120 | 110 | 22 | 8-φ18 | 1050 | 596 | 200 | 68 |
| | 80 | 320 | 195 | 160 | 135 | 121 | 22 | 8-φ18 | 1080 | 635 | 250 | 84 |
| | 100 | 350 | 230 | 190 | 160 | 150 | 24 | 8-φ23 | 1145 | 645 | 320 | 102 |
| | 125 | 400 | 270 | 220 | 188 | 176 | 28 | 8-φ25 | 1210 | 700 | 320 | 135 |
| | 150 | 450 | 300 | 250 | 218 | 204 | 30 | 8-φ25 | 1330 | 750 | 400 | 156 |
| | 200 | 550 | 375 | 320 | 282 | 260 | 38 | 12-φ30 | 1660 | 940 | 400 | 276 |
| | 250 | 650 | 445 | 385 | 345 | 313 | 42 | 12-φ34 | 1820 | 1050 | 450 | 306 |
| | 300 | 750 | 510 | 450 | 408 | 364 | 46 | 16-φ34 | 1990 | 1150 | 450 | 510 |
| | 350 | 850 | 570 | 510 | 465 | 422 | 52 | 16-φ34 | 2110 | 1190 | 500 | 720 |
| CZ6s40Y-40P | 400 | 950 | 655 | 585 | 535 | 474 | 58 | 16-φ41 | 2335 | 1370 | 550 | 1050 |
| | 450 | 1050 | 680 | 610 | 560 | 524 | 60 | 20-φ41 | 2490 | 1510 | 550 | 1320 |
| | 500 | 1150 | 755 | 670 | 612 | 576 | 62 | 20-φ48 | 2640 | 1590 | 550 | 1800 |
| | 600 | 1350 | 890 | 795 | 730 | 678 | 62 | 20-φ54 | 2940 | 1720 | 600 | 2160 |

■ 主要外形和连接尺寸 Main External and Connection Dimension

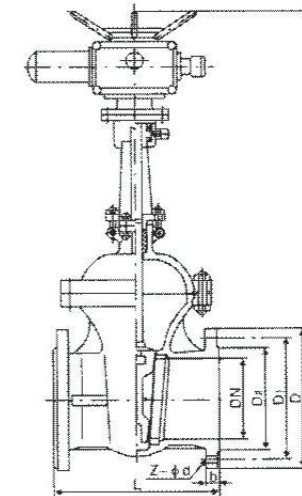
单位Unit:mm

| 产品型号 Type | 公称通径 DN | PN10.0MPa | | | | | | | | | | WT (kg) |
|---|------------|-----------|-----|----------------|----------------|----------------|--------|--------|------|----------------|----------------|------------|
| | | L | D | D ₁ | D ₂ | D ₆ | b | Z-Φd | H | H ₁ | D _o | |
| Z41H-100 Z40H-100 Z41Y-100P Z40Y-100P Z41Y-100R Z40Y-100R Z41Y-100I Z40Y-100I KZ41Y-100 KZ40Y-100 Z540H-100 Z540Y-100P | 40 | 240 | 165 | 125 | 95 | 76 | 26 | 4-Φ23 | 360 | 389 | 280 | 51 |
| | 50 | 250 | 195 | 145 | 112 | 88 | 28 | 4-Φ23 | 490 | 558 | 360 | 60 |
| | 65 | 280 | 220 | 170 | 138 | 110 | 32 | 8-Φ25 | 540 | 622 | 400 | 70 |
| | 80 | 310 | 230 | 180 | 148 | 121 | 34 | 8-Φ25 | 573 | 671 | 400 | 89 |
| | 100 | 350 | 265 | 210 | 172 | 150 | 38 | 8-Φ30 | 575 | 671 | 400 | 130 |
| | 125 | 400 | 310 | 250 | 210 | 176 | 42 | 8-Φ34 | 744 | 892 | 560 | 223 |
| | 150 | 450 | 350 | 290 | 250 | 204 | 46 | 12-Φ34 | 800 | 972 | 560 | 295 |
| | 200 | 550 | 430 | 360 | 312 | 260 | 54 | 12-Φ41 | 800 | 972 | 560 | 559 |
| | 250 | 650 | 500 | 430 | 382 | 313 | 60 | 12-Φ41 | 1050 | 1305 | 640 | 640 |
| | 300 | 750 | 585 | 500 | 442 | 364 | 70 | 16-Φ48 | 1208 | 1506 | 640 | 730 |
| 350 | 850 | 655 | 560 | 498 | 422 | 76 | 16-Φ54 | 1410 | 1915 | 720 | 850 | |
| 400 | 950 | 715 | 620 | 558 | 474 | 80 | 16-Φ54 | 1655 | 2304 | 720 | 975 | |

■ 主要外形和连接尺寸 Main External and Connection Dimension

单位Unit:mm

| 产品型号 Type | 公称通径 DN | PN16.0MPa | | | | | | | | | | WT (kg) |
|---|------------|-----------|-----|----------------|----------------|----------------|--------|--------|------|----------------|----------------|------------|
| | | L | D | D ₁ | D ₂ | D ₆ | b | Z-Φd | H | H ₁ | D _o | |
| Z41H-160 Z40H-160 Z41Y-160P Z40Y-160P Z41Y-160R Z40Y-160R Z41Y-160I Z40Y-160I KZ41Y-160 KZ40Y-160 Z540H-160 Z540Y-160P | 40 | 240 | 175 | 125 | 92 | 76 | 32 | 4-Φ27 | 350 | 395 | 320 | 32 |
| | 50 | 300 | 215 | 165 | 132 | 88 | 36 | 8-Φ25 | 512 | 612 | 360 | 73 |
| | 65 | 340 | 245 | 190 | 152 | 110 | 44 | 8-Φ30 | 560 | 677 | 360 | 110 |
| | 80 | 390 | 260 | 205 | 168 | 121 | 46 | 8-Φ30 | 585 | 686 | 400 | 141 |
| | 100 | 450 | 300 | 240 | 200 | 150 | 48 | 8-Φ34 | 631 | 751 | 450 | 185 |
| | 125 | 525 | 355 | 285 | 238 | 176 | 60 | 8-Φ41 | 723 | 868 | 560 | 320 |
| | 150 | 600 | 390 | 318 | 270 | 204 | 66 | 12-Φ41 | 820 | 997 | 640 | 462 |
| | 200 | 750 | 480 | 400 | 345 | 250 | 78 | 12-Φ48 | 990 | 1224 | 720 | 711 |
| | 250 | 850 | 580 | 485 | 425 | 313 | 88 | 12-Φ54 | 1104 | 1503 | 800 | 923 |
| | 300 | 950 | 665 | 570 | 510 | 364 | 100 | 16-Φ54 | 1314 | 1934 | 800 | 1204 |
| 350 | - | 640 | 559 | 424 | 414.5 | 86 | 20-Φ42 | 1600 | 2315 | 950 | 1450 | |
| 400 | - | 705 | 616 | 487 | 71.5 | 89 | 20-Φ45 | 1823 | 2660 | 950 | 1700 | |



■ 主要外形和连接尺寸 Main External and Connection Dimension

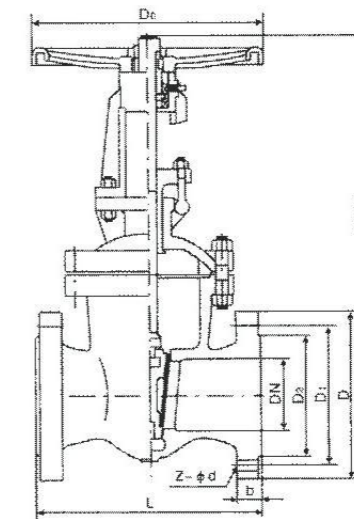
单位Unit:mm

| 产品型号 Type | 公称通径 DN | PN1.6MPa | | | | | | | 选配电装 E.A. | WT (kg) |
|--|------------|----------|------|----------------|----------------|--------|--------|--------|--------------|------------|
| | | L | D | D ₁ | D ₂ | b | Z-Φd | H | | |
| Z941H-16C Z940H-16C Z941W-16P Z940W-16P Z941Y-16P Z940Y-16P Z941Y-16R Z940Y-16R Z941Y-16I Z940Y-16I KZ941Y-16C KZ940Y-16C Z9B40H-16C Z9B40Y-16P | 40 | 200 | 145 | 110 | 85 | 16 | 4-Φ18 | 595 | DZW15 | 56 |
| | 50 | 250 | 160 | 125 | 100 | 16 | 4-Φ18 | 653 | DZW20 | 59 |
| | 65 | 265 | 180 | 145 | 120 | 18 | 4-Φ18 | 665 | DZW20 | 62 |
| | 80 | 280 | 195 | 160 | 135 | 20 | 8-Φ18 | 725 | DZW20 | 74 |
| | 100 | 300 | 215 | 180 | 155 | 20 | 8-Φ18 | 787 | DZW20 | 92 |
| | 150 | 350 | 280 | 240 | 210 | 24 | 8-Φ23 | 955 | DZW30 | 161 |
| | 200 | 400 | 335 | 295 | 265 | 26 | 12-Φ23 | 1105 | DZW30 | 219 |
| | 250 | 450 | 405 | 355 | 320 | 30 | 12-Φ25 | 1343 | DZW45 | 376 |
| | 300 | 500 | 460 | 410 | 375 | 30 | 12-Φ25 | 1516 | DZW60 | 484 |
| | 350 | 550 | 520 | 470 | 435 | 34 | 16-Φ25 | 1678 | DZW60 | 695 |
| 400 | 600 | 580 | 525 | 485 | 36 | 16-Φ30 | 1849 | DZW90 | 977 | |
| 450 | 650 | 640 | 585 | 545 | 40 | 20-Φ30 | 1937 | DZW90 | 1033 | |
| 500 | 700 | 705 | 650 | 608 | 44 | 20-Φ34 | 2234 | DZW120 | 1087 | |
| 600 | 800 | 840 | 770 | 718 | 48 | 20-Φ41 | 2232 | DZW180 | 1357 | |
| 700 | 900 | 910 | 840 | 788 | 50 | 24-Φ41 | 2489 | DZW250 | 1481 | |
| 800 | 1000 | 1020 | 950 | 898 | 52 | 24-Φ41 | 2643 | DZW350 | 1845 | |
| 900 | 1100 | 1120 | 1050 | 998 | 54 | 28-Φ41 | 2935 | DZW500 | 2100 | |
| 1000 | 1200 | 1255 | 1170 | 1110 | 56 | 28-Φ48 | 3410 | DZW500 | 2650 | |

■ 主要外形和连接尺寸 Main External and Connection Dimension

单位Unit:mm

| 产品型号 Type | 公称通径 DN | PN2.5MPa | | | | | | | | | WT (kg) |
|-----------------------|------------|----------|------|----------------|----------------|----|--------|------|----------------|----------------|------------|
| | | L | D | D ₁ | D ₂ | b | Z-Φd | H | H ₁ | D ₀ | |
| Z41H-25 Z40H-25 | 40 | 200 | 145 | 110 | 85 | 18 | 4-Φ18 | 300 | 352 | 200 | 18 |
| | 50 | 250 | 160 | 125 | 100 | 20 | 4-Φ18 | 358 | 438 | 240 | 28 |
| | 65 | 265 | 180 | 145 | 120 | 22 | 8-Φ18 | 375 | 450 | 240 | 33 |
| | 80 | 280 | 195 | 160 | 135 | 22 | 8-Φ18 | 433 | 528 | 280 | 46 |
| Z41W-25P Z40W-25P | 100 | 300 | 230 | 190 | 160 | 24 | 8-Φ23 | 502 | 620 | 320 | 64 |
| | 125 | 325 | 270 | 220 | 188 | 28 | 8-Φ25 | 612 | 753 | 360 | 116 |
| Z41Y-25P Z40Y-25P | 150 | 350 | 300 | 250 | 218 | 30 | 8-Φ25 | 676 | 847 | 260 | 141 |
| | 200 | 400 | 360 | 310 | 278 | 34 | 12-Φ25 | 820 | 1039 | 400 | 213 |
| Z41Y-25R Z40Y-25R | 250 | 450 | 425 | 370 | 332 | 36 | 12-Φ30 | 969 | 1245 | 450 | 290 |
| | 300 | 500 | 485 | 430 | 390 | 40 | 16-Φ30 | 1142 | 1472 | 560 | 400 |
| Z41Y-25I Z40Y-25I | 350 | 550 | 550 | 490 | 448 | 44 | 16-Φ34 | 1280 | 1450 | 640 | 631 |
| | 400 | 600 | 610 | 550 | 505 | 48 | 16-Φ34 | 1452 | 1887 | 640 | 900 |
| KZ41Y-25 KZ40Y-25 | 450 | 650 | 660 | 600 | 555 | 50 | 20-Φ34 | 1541 | 2011 | 720 | 1013 |
| | 500 | 700 | 730 | 660 | 610 | 52 | 20-Φ41 | 1676 | 2181 | 720 | 1166 |
| Z540H-25 Z540Y-25P | 600 | 800 | 840 | 770 | 718 | 56 | 20-Φ41 | 1874 | 2346 | 800 | 1258 |
| | 700 | 900 | 955 | 875 | 815 | 60 | 24-Φ48 | 2083 | 2517 | 800 | 1383 |
| | 800 | 1000 | 1070 | 990 | 930 | 64 | 24-Φ48 | 2400 | 2890 | 950 | 1596 |
| | 900 | 1100 | 1180 | 1090 | 1025 | 66 | 28-Φ54 | 2950 | 3316 | 1000 | 1865 |
| | 1000 | 1200 | 1305 | 1210 | 1140 | 68 | 28-Φ58 | 3245 | 3600 | 1000 | 2351 |



■ 主要外形和连接尺寸 Main External and Connection Dimension

单位Unit:mm

| 产品型号 Type | 公称通径 DN | PN4.0MPa | | | | | | | | | WT (kg) | |
|-----------------------|------------|----------|-----|----------------|----------------|----------------|----|--------|------|----------------|------------|----------------|
| | | L | D | D ₁ | D ₂ | D ₆ | b | Z-Φd | H | H ₁ | | D ₀ |
| Z41H-40 Z40H-40 | 40 | 200 | 145 | 110 | 85 | 76 | 18 | 4-Φ18 | 323 | 369 | 200 | 29 |
| | 50 | 250 | 160 | 125 | 100 | 88 | 20 | 4-Φ18 | 372 | 440 | 280 | 36 |
| | 65 | 280 | 180 | 145 | 120 | 110 | 22 | 8-Φ18 | 305 | 473 | 280 | 39 |
| | 80 | 310 | 195 | 160 | 135 | 121 | 22 | 8-Φ18 | 457 | 552 | 320 | 52 |
| Z41Y-40P Z40Y-40P | 100 | 350 | 230 | 190 | 160 | 150 | 24 | 8-Φ23 | 552 | 671 | 360 | 80 |
| | 125 | 400 | 270 | 220 | 188 | 176 | 28 | 8-Φ25 | 634 | 726 | 400 | 127 |
| Z41Y-40R Z40Y-40R | 150 | 450 | 300 | 250 | 218 | 204 | 30 | 8-Φ25 | 708 | 883 | 400 | 154 |
| | 200 | 550 | 375 | 320 | 282 | 260 | 38 | 12-Φ30 | 858 | 1086 | 450 | 263 |
| Z41Y-40I Z40Y-40I | 250 | 650 | 445 | 385 | 345 | 313 | 42 | 16-Φ34 | 1015 | 1298 | 460 | 368 |
| | 300 | 750 | 510 | 450 | 408 | 364 | 46 | 16-Φ34 | 1203 | 1535 | 640 | 547 |
| KZ41Y-40 KZ40Y-40 | 350 | 850 | 570 | 510 | 465 | 422 | 52 | 16-Φ34 | 1341 | 1678 | 640 | 679 |
| | 400 | 950 | 665 | 585 | 535 | 474 | 58 | 20-Φ41 | 1492 | 1903 | 720 | 953 |
| Z540H-40 Z540Y-40P | 450 | 1050 | 680 | 610 | 560 | 524 | 60 | 20-Φ41 | 1583 | 2215 | 800 | 1253 |
| | 500 | 1150 | 755 | 670 | 612 | 576 | 62 | 20-Φ41 | 1792 | 2580 | 950 | 1589 |
| | 600 | 1350 | 890 | 795 | 730 | 678 | 62 | 20-Φ41 | 2035 | 2916 | 950 | 1903 |

■ 主要外形和连接尺寸 Main External and Connection Dimension

单位Unit:mm

| 产品型号 Type | 公称通径 DN | PN6.4MPa | | | | | | | | | WT (kg) | |
|-----------------------|------------|----------|-----|----------------|----------------|----------------|-----|--------|------|----------------|------------|----------------|
| | | L | D | D ₁ | D ₂ | D ₆ | b | Z-Φd | H | H ₁ | | D ₀ |
| Z41H-64 Z40H-64 | 40 | 240 | 165 | 125 | 125 | 125 | 125 | 4-Φ23 | 360 | 389 | 389 | 29 |
| | 50 | 250 | 175 | 135 | 105 | 88 | 26 | 4-Φ23 | 372 | 448 | 448 | 34 |
| | 65 | 280 | 200 | 180 | 130 | 110 | 28 | 8-Φ23 | 395 | 475 | 280 | 43 |
| | 80 | 310 | 210 | 170 | 140 | 121 | 30 | 8-Φ23 | 458 | 553 | 320 | 60 |
| Z41Y-64P Z40Y-64P | 100 | 350 | 250 | 200 | 168 | 150 | 32 | 8-Φ25 | 553 | 649 | 360 | 89 |
| | 125 | 400 | 295 | 240 | 202 | 176 | 36 | 8-Φ30 | 638 | 779 | 400 | 140 |
| Z41Y-64R Z40Y-64R | 150 | 450 | 340 | 280 | 240 | 204 | 38 | 8-Φ34 | 718 | 893 | 450 | 207 |
| | 200 | 550 | 405 | 345 | 300 | 260 | 44 | 12-Φ34 | 873 | 1100 | 560 | 325 |
| Z41Y-64I Z40Y-64I | 250 | 650 | 470 | 400 | 352 | 313 | 48 | 12-Φ41 | 1053 | 1332 | 840 | 467 |
| | 300 | 750 | 530 | 460 | 412 | 364 | 54 | 16-Φ41 | 1203 | 1535 | 640 | 590 |
| KZ41Y-64 KZ40Y-64 | 350 | 850 | 595 | 525 | 475 | 422 | 60 | 16-Φ41 | 1394 | 1863 | 720 | 681 |
| | 400 | 950 | 670 | 585 | 525 | 474 | 66 | 16-Φ48 | 1645 | 2070 | 800 | 972 |
| Z540H-64 Z540Y-64P | 450 | 1050 | 670 | 630 | 570 | 524 | 70 | 20-Φ48 | 1903 | 2381 | 800 | 1269 |
| | 500 | 1150 | 800 | 705 | 640 | 576 | 70 | 20-Φ54 | 2285 | 2600 | 950 | 1606 |
| | 600 | 1350 | 950 | 820 | 750 | 678 | 76 | 20-Φ58 | 2601 | 3010 | 950 | 2123 |

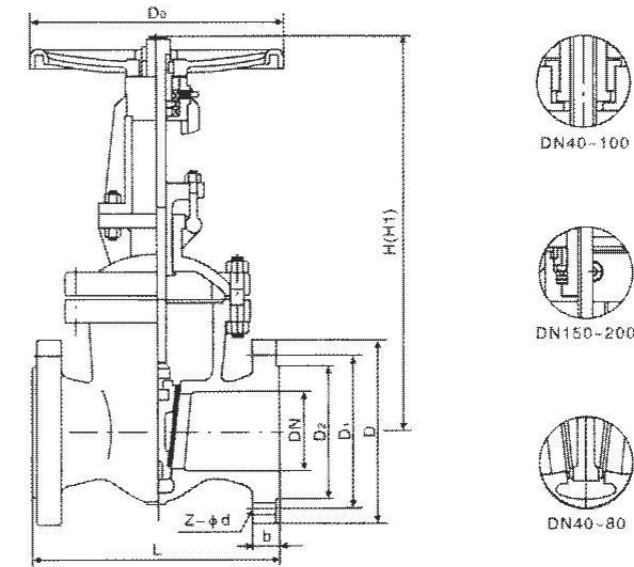
闸阀系列 GATE VALVES

主要特点

- ※全通径, 明杆带支架
- ※中法兰螺栓连接
- ※带导向的弹性闸板
- ※美标结构改进型
- ※阀杆升降, 手轮不升降
- ※伞齿轮操作选配
- ※标准法兰连接

CHIEF FEATURES

- ※FULL PORT, OUTSIDE SCREW AND YOKE(OS&Y)
- ※BOLTE BONNET
- ※FLEXINLE WEDGE, FULLY GUIDED
- ※STRUCTURE IMPROVE ON API
- ※RISNG STEM AND NON-RISING HANDWHEEL
- ※AVAILABLE WITH GEAR OPERATOR
- ※FLANGED ENDS



产品规范 Product Specification

| 产品规范 Product Specification | 设计规范 Design Spec. | 结构长度 Face to Face | 连接法兰 Flange End | 试验与检验 Test & Check | 压力-温度 Pressure-Temp | 产品标识 Marking | 供货规范 Supply |
|----------------------------------|----------------------|----------------------|--------------------|-----------------------|------------------------|-----------------|----------------|
| | GB/T 12234 | GB/T 12221 | JB/T 79 | JB/T 9092 | GB/T 9131 | GB/T 12220 | JB/T 7928 |

主要零部件材料 Main Part Material

| 零件名称 | 阀体材料 Body Material Code | | | | Part Name |
|-------|--------------------------------|---------------------|--------------------|-----------------------|-----------------|
| 阀体/阀盖 | WCB | ZGCr5Mo | ZG1Cr18Ni9Ti/CF8 | ZG1Cr18Ni12Mo2Ti/CF8M | Body/Bonnet |
| 闸板 | WCB | ZGCr5Mo | ZG1Cr18Ni9Ti/CF8 | ZG1Cr18Ni12Mo2Ti/CF8M | Wedge |
| 阀杆 | Cr13 | 25Cr2MoV | 1Cr18Ni9Ti | 1Cr18Ni12Mo2Ti | Stem |
| 填料 | 柔性石墨/Flexible Graphite | | 聚四氟乙稀/PTFE | | Packing |
| 垫片 | 18-8柔性石墨/18-8Flexible Graphite | | | | Gasket |
| 螺栓 | 35/35CrMo | 25CrMoV | 1Cr18Ni9 | 1Cr18Ni9 | Bolt |
| 适用温度 | -29~425℃ | -29~450℃ | -40~200℃ | -40~200℃ | Suitable Temp |
| 适用介质 | 水、油品、蒸汽 Water, Oil, Steam | 蒸汽、油品 Steam, Oil | 硝酸类 Nitric Acid | 醋酸类 Acetic Acid | Suitable Medium |

主要外形和连接尺寸 Main External and Connection Dimension

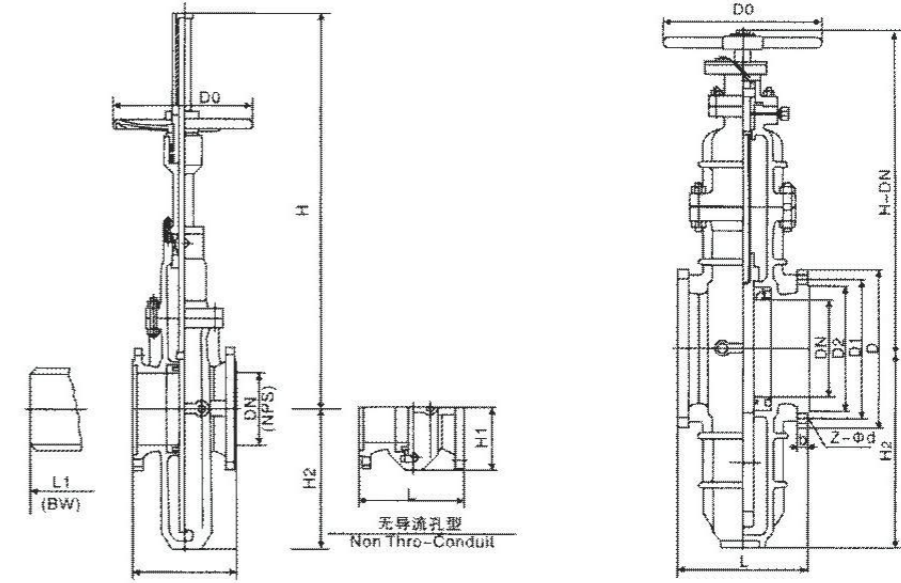
单位Unit:mm

| 产品型号 Type | 公称通径 DN | PN1.6MPa | | | | | | | | | WT (kg) |
|------------------------|------------------------|----------|------|----------------|----------------|-----|--------|--------|----------------|----------------|------------|
| | | L | D | D ₁ | D ₂ | b | Z-φd | H | H ₁ | D ₀ | |
| Z41H-16C Z40H-16C | 40 | 200 | 145 | 110 | 85 | 16 | 4-φ18 | 300 | 352 | 200 | 26.5 |
| | 50 | 250 | 160 | 125 | 100 | 16 | 4-φ18 | 658 | 438 | 240 | 29 |
| | 65 | 265 | 180 | 145 | 120 | 18 | 4-φ18 | 375 | 450 | 240 | 33 |
| | 80 | 280 | 195 | 160 | 135 | 20 | 8-φ18 | 433 | 528 | 280 | 45 |
| | 100 | 300 | 215 | 180 | 155 | 20 | 8-φ18 | 502 | 620 | 320 | 63 |
| | 125 | 325 | 245 | 210 | 185 | 22 | 8-φ18 | 612 | 753 | 360 | 108 |
| Z41W-16P Z40W-16P | 150 | 350 | 280 | 240 | 210 | 24 | 8-φ23 | 676 | 847 | 360 | 134 |
| | 200 | 400 | 335 | 295 | 265 | 26 | 12-φ23 | 820 | 1039 | 400 | 192 |
| Z41Y-16P Z40Y-16P | 250 | 450 | 405 | 355 | 320 | 30 | 12-φ25 | 969 | 1245 | 450 | 273 |
| | 300 | 500 | 460 | 410 | 375 | 30 | 12-φ25 | 1142 | 1472 | 560 | 379 |
| Z41Y-16I Z40Y-16I | 350 | 550 | 520 | 470 | 435 | 34 | 16-φ25 | 1280 | 1450 | 640 | 590 |
| | 400 | 600 | 580 | 525 | 485 | 36 | 16-φ30 | 1452 | 1887 | 640 | 850 |
| KZ41Y-16C KZ40Y-16C | 450 | 650 | 640 | 585 | 545 | 40 | 20-φ30 | 1541 | 2011 | 720 | 907 |
| | Z540H-16C Z540Y-16P | 500 | 700 | 705 | 650 | 608 | 44 | 20-φ34 | 1676 | 2181 | 720 |
| 600 | | 800 | 840 | 770 | 718 | 48 | 20-φ41 | 1874 | 2346 | 800 | 1112 |
| 700 | | 900 | 910 | 840 | 788 | 50 | 24-φ41 | 2083 | 2517 | 800 | 1290 |
| 800 | | 1000 | 1020 | 950 | 598 | 52 | 24-φ41 | 2400 | 2890 | 950 | 1485 |
| | 900 | 1100 | 1120 | 1050 | 998 | 54 | 28-φ41 | 2950 | 3316 | 1000 | 1773 |
| | 1000 | 1200 | 1255 | 1170 | 1110 | 56 | 28-φ48 | 3245 | 3600 | 1000 | 2160 |

主要外形和连接尺寸 Main External and Connection Dimension

单位Unit:mm

| 产品型号 Type | 公称通径 DN | PN1.6MPa | | | | | | | | | | WT(kg) | |
|-------------------------|------------|----------|------|----------------|----------------|----|--------|------|----------------|----------------|----------------|--------|------|
| | | L | D | D ₁ | D ₂ | b | Z-Φd | H | H ₁ | H ₂ | D ₀ | 110 | 112 |
| Z43WF-16C Z43F-16C | 50 | 178 | 160 | 125 | 100 | 16 | 4-Φ18 | 475 | 80 | 122 | 250 | 23 | 25 |
| | 65 | 190 | 180 | 145 | 120 | 18 | 4-Φ18 | 535 | 90 | 152 | 300 | 40 | 45 |
| | 80 | 203 | 195 | 160 | 135 | 20 | 8-Φ18 | 600 | 100 | 178 | 300 | 45 | 50 |
| | 100 | 229 | 215 | 180 | 155 | 20 | 8-Φ18 | 700 | 110 | 220 | 300 | 52 | 57 |
| | 125 | 254 | 245 | 210 | 185 | 22 | 8-Φ18 | 790 | 130 | 255 | 350 | 95 | 105 |
| Z43WY-16C Z43Y-16C | 150 | 267 | 280 | 240 | 210 | 24 | 8-Φ23 | 910 | 145 | 345 | 350 | 105 | 115 |
| | 200 | 292 | 335 | 295 | 265 | 26 | 12-Φ23 | 1095 | 170 | 420 | 350 | 140 | 155 |
| KZ43WF-16C KZ43F-16C | 250 | 330 | 405 | 355 | 320 | 30 | 12-Φ25 | 1370 | 210 | 495 | 400 | 240 | 265 |
| | 300 | 356 | 460 | 410 | 375 | 30 | 12-Φ25 | 1470 | 240 | 600 | 450 | 300 | 330 |
| Z47WF-16C Z47F-16C | 350 | 381 | 520 | 470 | 435 | 34 | 16-Φ25 | 1730 | 265 | 640 | 450 | 460 | 506 |
| | 400 | 406 | 580 | 525 | 485 | 36 | 16-Φ30 | 1870 | 290 | 720 | 500 | 560 | 620 |
| | 450 | 432 | 640 | 585 | 545 | 40 | 20-Φ30 | 2185 | 325 | 798 | 500 | 780 | 860 |
| | 500 | 457 | 705 | 650 | 608 | 44 | 20-Φ34 | 2335 | 360 | 875 | 600 | 1050 | 1160 |
| | 600 | 508 | 840 | 770 | 718 | 48 | 20-Φ41 | 2680 | 425 | 1170 | 800 | 1680 | 1850 |
| | 700 | 610 | 910 | 840 | 788 | 50 | 24-Φ41 | 3080 | 455 | 1250 | 800 | 2250 | 2480 |
| | 800 | 660 | 1020 | 950 | 898 | 52 | 24-Φ41 | 3490 | 505 | 1370 | 1000 | 3180 | 3500 |
| | 900 | 711 | 1120 | 1050 | 998 | 54 | 28-Φ41 | 3900 | 545 | 1500 | 1000 | 4260 | 4690 |
| | 1000 | 811 | 1255 | 1170 | 1110 | 56 | 28-Φ48 | 4320 | 610 | 1670 | 1000 | 5540 | 6100 |



主要外形和连接尺寸 Main External and Connection Dimension

单位Unit:mm

| 产品型号 Type | 公称通径 DN | PN2.5MPa | | | | | | | | | | WT(kg) | |
|-----------------------|------------|----------|------|----------------|----------------|--------|--------|------|----------------|----------------|----------------|--------|------|
| | | L | D | D ₁ | D ₂ | b | Z-Φd | H | H ₁ | H ₂ | D ₀ | 110 | 112 |
| Z43WF-25 Z43F-25 | 50 | 178 | 160 | 125 | 100 | 20 | 4-Φ18 | 475 | 80 | 122 | 250 | 25 | 27 |
| | 65 | 190 | 180 | 145 | 120 | 22 | 8-Φ18 | 535 | 90 | 152 | 300 | 45 | 49 |
| | 80 | 203 | 195 | 160 | 135 | 22 | 8-Φ18 | 600 | 100 | 178 | 300 | 50 | 55 |
| | 100 | 229 | 230 | 190 | 160 | 24 | 8-Φ23 | 700 | 110 | 220 | 300 | 60 | 66 |
| | 125 | 254 | 270 | 220 | 188 | 28 | 8-Φ25 | 790 | 130 | 255 | 350 | 110 | 121 |
| Z43WY-25 Z43Y-25 | 150 | 267 | 300 | 250 | 218 | 30 | 8-Φ25 | 910 | 145 | 345 | 350 | 128 | 140 |
| | 200 | 292 | 360 | 310 | 278 | 34 | 12-Φ25 | 1095 | 170 | 420 | 350 | 165 | 181 |
| KZ43WF-25 KZ43F-25 | 250 | 330 | 425 | 370 | 332 | 36 | 12-Φ30 | 1370 | 210 | 495 | 400 | 280 | 310 |
| | 300 | 356 | 485 | 430 | 390 | 40 | 16-Φ30 | 1470 | 240 | 600 | 450 | 370 | 410 |
| Z47WF-25 Z47F-25 | 350 | 381 | 550 | 490 | 448 | 44 | 16-Φ34 | 1730 | 265 | 640 | 450 | 525 | 580 |
| | 400 | 406 | 610 | 550 | 505 | 48 | 16-Φ34 | 1870 | 290 | 720 | 500 | 635 | 700 |
| | 450 | 432 | 660 | 600 | 555 | 50 | 20-Φ34 | 2185 | 325 | 798 | 500 | 1010 | 1110 |
| | 500 | 457 | 760 | 660 | 610 | 52 | 20-Φ41 | 2335 | 360 | 875 | 600 | 1280 | 1410 |
| | 600 | 508 | 840 | 770 | 718 | 56 | 20-Φ41 | 2680 | 425 | 1170 | 800 | 1930 | 2120 |
| | 700 | 610 | 955 | 875 | 815 | 60 | 25-Φ48 | 3080 | 455 | 1250 | 800 | 3010 | 3310 |
| | 800 | 660 | 1070 | 990 | 930 | 64 | 24-Φ48 | 3490 | 505 | 1370 | 1000 | 3820 | 4200 |
| 900 | 711 | 1180 | 1090 | 1025 | 66 | 28-Φ54 | 3900 | 545 | 1500 | 1000 | 5120 | 5630 | |
| 1000 | 811 | 1305 | 1210 | 1140 | 66 | 28-Φ58 | 4320 | 610 | 1670 | 1000 | 6400 | 7040 | |

主要外形和连接尺寸 Main External and Connection Dimension

单位Unit:mm

| 产品型号 Type | 公称通径 DN | PN4.0MPa | | | | | | | | | | WT(kg) | | |
|---------------------|------------|----------|-----|----------------|----------------|----------------|----|--------|------|----------------|----------------|----------------|------|------|
| | | L | D | D ₁ | D ₂ | D ₆ | b | Z-Φd | H | H ₁ | H ₂ | D ₀ | 110 | 112 |
| Z43WF-40 Z43F-40 | 50 | 216 | 160 | 125 | 100 | 88 | 20 | 4-Φ18 | 475 | 80 | 122 | 250 | 38 | 42 |
| | 65 | 241 | 180 | 145 | 120 | 110 | 22 | 8-Φ18 | 535 | 90 | 152 | 300 | 57 | 62 |
| | 80 | 283 | 195 | 160 | 135 | 121 | 22 | 8-Φ18 | 600 | 100 | 178 | 300 | 68 | 75 |
| | 100 | 305 | 230 | 190 | 160 | 150 | 24 | 8-Φ23 | 700 | 110 | 220 | 300 | 75 | 82 |
| | 125 | 381 | 270 | 220 | 188 | 176 | 28 | 8-Φ25 | 790 | 130 | 255 | 350 | 133 | 146 |
| Z43WY-40 Z43Y-40 | 150 | 403 | 300 | 250 | 218 | 204 | 30 | 8-Φ25 | 910 | 145 | 345 | 350 | 165 | 180 |
| | 200 | 419 | 375 | 320 | 282 | 260 | 38 | 12-Φ30 | 1095 | 170 | 420 | 350 | 315 | 350 |
| Z47WF-40 Z47F-40 | 250 | 457 | 445 | 385 | 345 | 313 | 42 | 12-Φ34 | 1370 | 210 | 495 | 400 | 410 | 450 |
| | 300 | 502 | 510 | 450 | 408 | 364 | 46 | 16-Φ34 | 1470 | 240 | 600 | 450 | 620 | 685 |
| | 350 | 762 | 570 | 510 | 465 | 422 | 52 | 16-Φ34 | 1730 | 265 | 640 | 450 | 870 | 950 |
| | 400 | 838 | 655 | 585 | 535 | 474 | 58 | 16-Φ41 | 1870 | 290 | 720 | 500 | 1370 | 1460 |
| | 450 | 914 | 680 | 610 | 560 | 524 | 60 | 20-Φ41 | 2185 | 325 | 798 | 500 | 1632 | 1680 |
| | 500 | 991 | 755 | 670 | 612 | 576 | 62 | 20-Φ48 | 2335 | 360 | 875 | 600 | 2050 | 2370 |
| | 600 | 1143 | 890 | 795 | 730 | 678 | 62 | 20-Φ54 | 2680 | 425 | 1170 | 800 | 3110 | 3405 |

平板闸阀系列 FLAT GATE VALVES

主要特点

- ※全通径，全封闭，明杆带支架
- ※中法兰螺栓连接
- ※刚性闸板，导流孔设计
- ※阀杆升降，手轮不升降
- ※伞齿轮操作选配
- ※标准法兰连接
- ※对焊连接

CHIEF FEATURES

- ※FULL PORT, OUTSIDE SCREW AND YOKE(OS&Y)
- ※BOLTE BONNET
- ※SOLID WEDGE, THRO-CONDUIT DESIGN
- ※RISING STEM AND NON-RISING HANDWHEEL
- ※AVAILABLE WITH GEAR OPERATOR
- ※FLANGED ENDS
- ※BUTT-WELDING ENDS

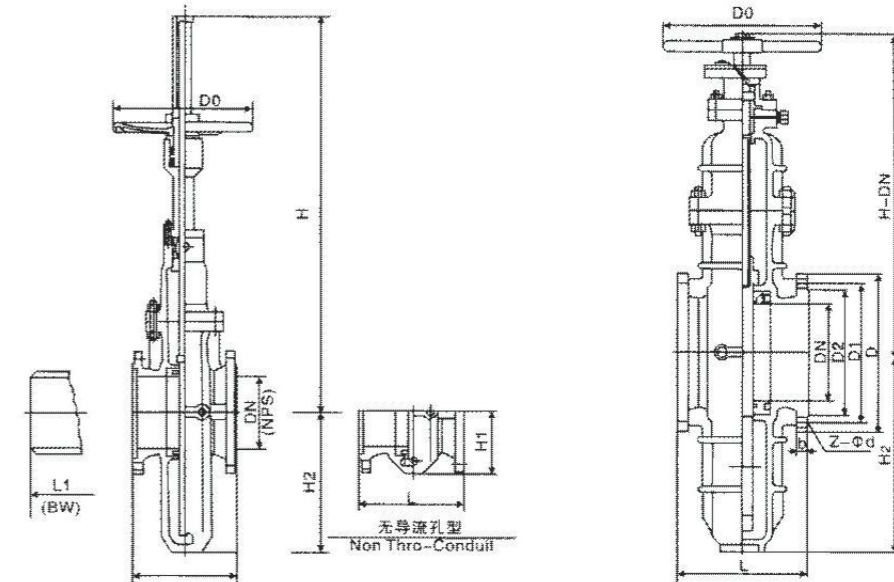


产品规范 Product Specification

| 产品规范 Product Specification | 设计规范 Design Spec. | 结构长度 Face to Face | 连接法兰 Flange End | 试验与检验 Test & Check | 压力-温度 Pressure-Temp | 产品标识 Marking | 供货规范 Supply |
|-------------------------------|----------------------|----------------------|--------------------|-----------------------|------------------------|-----------------|----------------|
| | JB/T 5298 | JB/T 5298 | JB/T79 | JB/T 5298 | GB/T9131 | GB/T12220 | JB/T7928 |
| | API6D | API6D | ANSI B16.5 | API6D | ANSI B16.34 | Mss sp-25 | API6D |

主要零部件材料 Main Part Material

| 零件名称 Part name | 零部件材料 Part Material | | | |
|----------------------|---------------------------------|------------------------------|--------------------|--------------------|
| | JB/T 7298 | | API6D | |
| 阀体、阀盖 Body, Bonnet | WCB | WCB | A352-LCB | A352-CF8M |
| 阀板 Wedge | 2Cr13+ENP | 20CrMoV+STL | ANSI410+ENP | ANSI316+ENP |
| 阀杆 Stem | 2Cr13 | 2Cr13 | A182-F6a | A182-F316S |
| 阀座 Seat | 25+PTFE | 20CrMoV+STL | A105+PTFE | A182-F316+PTFE |
| 填料 Packing | NBR/FPM | 柔性石墨/Flexible Graphite | | 聚四氟乙烯/PTFE+FPM |
| 垫片 Gasket | 18-8/柔性石墨/18-8Flexible Graphite | | | |
| 螺栓 Bolt | 35 | 35CrMo | 3A193-B7M | A193-B8 |
| 适用温度 Suitable Temp. | -29~250℃ | -29~550℃ | -46~350℃ | -40~200℃ |
| 适用介质 Suitable Medium | 水、油品、蒸汽 Water, oil, steam | 水、油品、蒸汽 Water, oil, steam | 丙烷、乙烯 Stem, oil | 硝酸类 Nitric Acid |



主要外形和连接尺寸 Main External and Connection Dimension

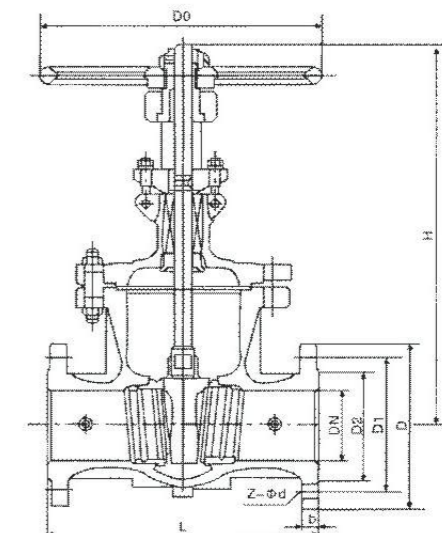
单位Unit:mm

| 产品型号 Type | 公称通径 DN | PN1.0MPa | | | | | | | | | | WT(kg) | | |
|-----------------------|-----------------------|----------|------|------|------|-----|--------|--------|------|------|------|--------|------|-----|
| | | L | D | D1 | D2 | b | Z-φd | H | H1 | H2 | Do | 110 | 112 | |
| Z43WF-10C Z43F-10C | 50 | 178 | 165 | 125 | 99 | 20 | 4-φ18 | 475 | 80 | 122 | 250 | 23 | 25 | |
| | 65 | 190 | 185 | 145 | 118 | 20 | 4-φ18 | 535 | 90 | 152 | 300 | 40 | 45 | |
| | 80 | 203 | 200 | 160 | 132 | 20 | 8-φ18 | 600 | 100 | 178 | 300 | 45 | 50 | |
| | 100 | 229 | 220 | 180 | 156 | 22 | 8-φ18 | 700 | 110 | 220 | 300 | 52 | 57 | |
| | 125 | 254 | 250 | 210 | 184 | 22 | 8-φ18 | 790 | 130 | 255 | 350 | 95 | 105 | |
| | 150 | 267 | 285 | 240 | 211 | 24 | 8-φ22 | 910 | 145 | 345 | 350 | 105 | 115 | |
| | 200 | 292 | 340 | 295 | 266 | 24 | 8-φ22 | 1095 | 170 | 420 | 350 | 140 | 155 | |
| | 250 | 330 | 395 | 350 | 319 | 26 | 12-φ22 | 1370 | 210 | 495 | 400 | 240 | 265 | |
| | Z43WY-10C Z43Y-10C | 300 | 356 | 445 | 400 | 370 | 26 | 12-φ22 | 1470 | 240 | 600 | 450 | 300 | 330 |
| | | 350 | 381 | 505 | 460 | 429 | 26 | 16-φ22 | 1730 | 265 | 640 | 450 | 460 | 506 |
| Z47WF-10C Z47F-10C | 400 | 406 | 565 | 515 | 480 | 26 | 16-φ22 | 1870 | 290 | 720 | 500 | 560 | 620 | |
| | 450 | 432 | 615 | 565 | 530 | 28 | 20-φ26 | 2185 | 325 | 798 | 500 | 780 | 860 | |
| | 500 | 457 | 670 | 620 | 582 | 28 | 20-φ26 | 2335 | 360 | 875 | 600 | 1050 | 1160 | |
| | 600 | 508 | 780 | 725 | 682 | 34 | 20-φ30 | 2680 | 425 | 1170 | 800 | 1680 | 1850 | |
| | 700 | 610 | 895 | 840 | 794 | 34 | 24-φ30 | 3080 | 455 | 1250 | 800 | 2250 | 2480 | |
| | 800 | 660 | 1015 | 950 | 901 | 36 | 24-φ33 | 3490 | 505 | 1370 | 1000 | 3180 | 3500 | |
| | 900 | 711 | 1115 | 1050 | 1001 | 38 | 28-φ33 | 3900 | 545 | 1500 | 1000 | 4260 | 4690 | |
| | 1000 | 811 | 1230 | 1160 | 1112 | 38 | 28-φ36 | 4320 | 610 | 1670 | 1000 | 5540 | 6100 | |

主要外形和连接尺寸 Main External and Connection Dimension

单位Unit:mm

| 产品型号 Type | 公称通径 DN | PN4.0MPa | | | | | | | | | WT(kg) |
|--------------|------------|----------|-----|----------------|----------------|----------------|--------|--------|------|-----|--------|
| | | L | D | D ₁ | D ₂ | D ₆ | b | Z-Φd | H | Do | |
| DZ40Y-40L | 20 | 150 | 105 | 75 | 55 | 51 | 16 | 4-Φ14 | 330 | 140 | 7 |
| | 25 | 160 | 115 | 85 | 65 | 58 | 16 | 4-Φ14 | 360 | 160 | 9 |
| | 32 | 180 | 135 | 100 | 78 | 66 | 18 | 4-Φ18 | 440 | 180 | 11 |
| | 40 | 200 | 145 | 110 | 85 | 76 | 18 | 4-Φ18 | 455 | 200 | 19 |
| | 50 | 250 | 160 | 125 | 100 | 88 | 20 | 4-Φ18 | 575 | 280 | 28 |
| | 65 | 280 | 180 | 145 | 120 | 110 | 22 | 8-Φ18 | 635 | 280 | 35 |
| | 80 | 310 | 195 | 160 | 135 | 121 | 22 | 8-Φ18 | 715 | 320 | 50 |
| | 100 | 350 | 230 | 190 | 160 | 150 | 24 | 8-Φ23 | 815 | 360 | 74 |
| | 125 | 400 | 270 | 220 | 188 | 176 | 28 | 8-Φ25 | 965 | 400 | 115 |
| | 150 | 450 | 300 | 250 | 218 | 204 | 30 | 8-Φ25 | 1025 | 400 | 135 |
| | 200 | 550 | 375 | 320 | 282 | 260 | 38 | 12-Φ30 | 1225 | 450 | 215 |
| | 250 | 650 | 445 | 385 | 345 | 313 | 42 | 12-Φ34 | 1440 | 560 | 184 |
| | 300 | 750 | 510 | 450 | 408 | 346 | 46 | 16-Φ34 | 1665 | 640 | 405 |
| 350 | 850 | 570 | 510 | 465 | 422 | 52 | 16-Φ34 | 1880 | 640 | 600 | |
| 400 | 950 | 655 | 585 | 535 | 474 | 58 | 16-Φ41 | 2050 | 720 | 750 | |



主要外形和连接尺寸 Main External and Connection Dimension

单位Unit:mm

| 产品型号 Type | 公称通径 DN | PN6.4MPa | | | | | | | | | WT(kg) |
|--------------|------------|----------|-----|----------------|----------------|----------------|----|--------|------|-----|--------|
| | | L | D | D ₁ | D ₂ | D ₆ | b | Z-Φd | H | Do | |
| DZ40Y-64L | 20 | 190 | 125 | 90 | 68 | 51 | 20 | 4-Φ18 | 330 | 100 | 8 |
| | 25 | 210 | 165 | 100 | 78 | 58 | 22 | 4-Φ18 | 360 | 180 | 13 |
| | 32 | 230 | 150 | 110 | 82 | 66 | 24 | 4-Φ23 | 410 | 180 | 24 |
| | 40 | 240 | 165 | 125 | 95 | 76 | 24 | 4-Φ23 | 480 | 200 | 32 |
| | 50 | 250 | 175 | 135 | 105 | 88 | 26 | 4-Φ23 | 585 | 200 | 39 |
| | 65 | 280 | 200 | 160 | 160 | 110 | 28 | 8-Φ23 | 690 | 250 | 45 |
| | 80 | 310 | 210 | 170 | 140 | 121 | 30 | 8-Φ23 | 745 | 300 | 60 |
| | 100 | 350 | 250 | 200 | 168 | 150 | 32 | 8-Φ25 | 885 | 300 | 90 |
| | 125 | 400 | 295 | 240 | 202 | 176 | 36 | 8-Φ30 | 958 | 350 | 140 |
| | 150 | 450 | 340 | 280 | 240 | 204 | 38 | 8-Φ34 | 1050 | 350 | 205 |
| | 200 | 550 | 405 | 345 | 300 | 260 | 44 | 12-Φ34 | 1240 | 400 | 330 |
| | 250 | 650 | 470 | 400 | 352 | 313 | 48 | 12-Φ41 | 1460 | 560 | 468 |
| | 300 | 750 | 530 | 460 | 412 | 364 | 54 | 16-Φ41 | 1690 | 640 | 600 |

主要外形和连接尺寸 Main External and Connection Dimension

单位Unit:mm

| 产品型号 Type | 公称通径 DN | PN10.0MPa | | | | | | | | | WT(kg) |
|--------------|------------|-----------|-----|----------------|----------------|----------------|----|-------|-----|-----|--------|
| | | L | D | D ₁ | D ₂ | D ₆ | b | Z-Φd | H | Do | |
| DZ40Y-100L | 25 | 210 | 135 | 100 | 78 | 58 | 24 | 4-Φ18 | 365 | 200 | 18 |
| | 32 | 230 | 150 | 110 | 82 | 66 | 24 | 4-Φ23 | 420 | 240 | 27 |
| | 50 | 250 | 195 | 145 | 112 | 88 | 28 | 4-Φ25 | 630 | 360 | 45 |
| | 65 | 280 | 220 | 170 | 138 | 110 | 32 | 8-Φ25 | 700 | 400 | 60 |
| | 80 | 310 | 230 | 180 | 148 | 121 | 34 | 8-Φ25 | 760 | 400 | 76 |
| | 100 | 350 | 265 | 210 | 172 | 150 | 38 | 8-Φ30 | 900 | 400 | 128 |

主要外形和连接尺寸 Main External and Connection Dimension

单位Unit:mm

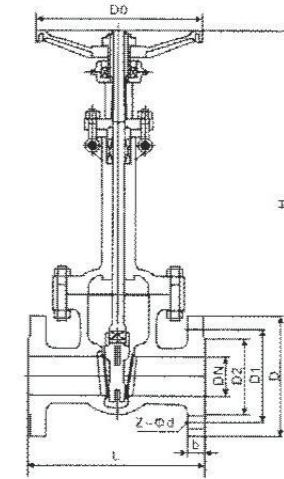
| 产品型号 Type | 公称通径 DN | PN1.6/2.5MPa | | | | | | | | | WT(kg) |
|-------------------------------------|------------|--------------|-----|----------------|----------------|----|--------|------|-----|-----|--------|
| | | L | D | D ₁ | D ₂ | b | Z-Φd | H | Do | | |
| BZ41H-16C BZ41W-16P BZ41W-16R | 40 | 200 | 160 | 125 | 100 | 18 | 4-Φ18 | 310 | 200 | 49 | |
| | 50 | 250 | 180 | 145 | 120 | 18 | 4-Φ18 | 358 | 240 | 54 | |
| | 65 | 265 | 195 | 160 | 135 | 20 | 8-Φ18 | 373 | 240 | 81 | |
| | 80 | 280 | 215 | 180 | 155 | 20 | 8-Φ18 | 435 | 280 | 100 | |
| | 100 | 300 | 245 | 210 | 185 | 22 | 8-Φ18 | 500 | 300 | 120 | |
| | 125 | 325 | 280 | 240 | 210 | 24 | 8-Φ23 | 614 | 320 | 210 | |
| | 150 | 350 | 335 | 295 | 265 | 26 | 12-Φ23 | 674 | 360 | 260 | |
| | 200 | 400 | 405 | 355 | 320 | 30 | 12-Φ25 | 818 | 400 | 300 | |
| | 250 | 450 | 460 | 410 | 375 | 30 | 12-Φ25 | 969 | 450 | 400 | |
| | 300 | 500 | 520 | 470 | 435 | 34 | 16-Φ25 | 1145 | 560 | 490 | |
| BZ41H-25 BZ41W-25P BZ41W-25R | 40 | 200 | 160 | 125 | 100 | 20 | 4-Φ18 | 358 | 240 | 52 | |
| | 50 | 250 | 180 | 145 | 120 | 22 | 8-Φ18 | 373 | 240 | 56 | |
| | 65 | 265 | 195 | 160 | 135 | 22 | 8-Φ18 | 435 | 280 | 86 | |
| | 80 | 280 | 230 | 190 | 160 | 24 | 8-Φ18 | 500 | 300 | 105 | |
| | 100 | 300 | 270 | 220 | 188 | 28 | 8-Φ15 | 614 | 320 | 170 | |
| | 125 | 350 | 300 | 250 | 218 | 30 | 8-Φ25 | 674 | 360 | 245 | |
| | 150 | 350 | 360 | 310 | 278 | 34 | 12-Φ25 | 818 | 400 | 270 | |
| | 200 | 400 | 425 | 370 | 332 | 36 | 12-Φ30 | 969 | 450 | 380 | |
| | 250 | 450 | 485 | 430 | 390 | 40 | 12-Φ30 | 1145 | 560 | 535 | |
| | 300 | 500 | 550 | 490 | 448 | 44 | 16-Φ34 | 1145 | 640 | 546 | |

主要特点

- ※全通径, 明杆带支架
- ※中法兰螺栓连接
- ※带导向的弹性闸板
- ※美标结构改进型
- ※加长保温颈
- ※伞齿轮操作选配
- ※标准法兰连接

CHIEF FEATURES

- ※FULL PORT, OUTSIDE SCREW AND YOKE(OS&Y)
- ※BOLTED BONNET
- ※FLEXIBLE WEDGE, FULLY GUIDED
- ※STRUCTURE IMPROVE ON API
- ※EXTENSION HOLDING NECK
- ※AVAILABLE WITH GEAR OPERATOR
- ※FLANGED ENDS



产品规范 Product Specification

| 产品规范 Product Specification | 设计规范 Design Spec. | 结构长度 Face to Face | 法兰连接 Flange End | 试验与检验 Test & Check | 压力-温度 Pressure-Temp | 产品标识 Marking | 供货规范 Supply |
|----------------------------------|----------------------|----------------------|--------------------|-----------------------|------------------------|-----------------|----------------|
| | JB/T7749 | JB/T12221 | JB/T79 | JB/T9092 | GB 9131 | GB/T12220 | JB/T7928 |

主要零部件材料 Main Part Material

| 零件名称 Part name | 零部件材料 Part Material | | | | | | |
|----------------------|--|------|------|------------|-------|------------|--------------|
| 阀体 Body | LCB | LC1 | LC2 | LC3 | LC4 | CF8/CF8M | CF3/CF3M |
| 阀盖 Bonnet | LCB | LC1 | LC2 | LC3 | LC4 | CF8/CF8M | CF3/CF3M |
| 阀板 Wedge | LCB | LC1 | LC2 | LC3 | LC4 | CF8/CF8M | CF3/CF3M |
| 阀杆 Stem | 1Cr17Ni12 | | | 1Cr18Ni9Ti | | | 0Cr14Ni12Mo2 |
| 密封副 Hard Trim | STL+STL | | | STL+STL | | | STL+STL |
| 填料 Packing | 柔性石墨Flexible Graphite(聚四氟乙烯/PTFE) | | | | | | |
| 垫片 Gasket | 18-8柔性石墨Flexible Graphite | | | | | | |
| 螺栓 Bolt | 1Cr17Ni12 | | | 1Cr18Ni9Ti | | 1Cr18Ni9Ti | |
| 适用温度 Suitable Temp. | -46℃ | -60℃ | -73℃ | -101℃ | -115℃ | -196℃ | -196℃ |
| 适用介质 Suitable Medium | 丙烷、丙烯、甲醇、乙烷、煤气、液氮 Propane, Propylene, Methanol, Ethanol, Coal-Gas, Liquid Ammonia | | | | | | |

主要外形和连接尺寸 Main External and Connection Dimension

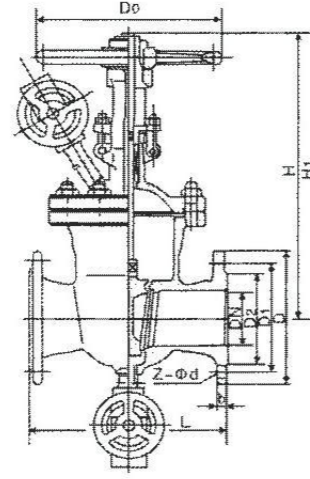
单位Unit:mm

| 产品型号 Type | 公称通径 DN | PN1.6MPa | | | | | | | | WT(kg) |
|--------------|------------|----------|-----|----------------|----------------|--------|--------|------|-----|--------|
| | | L | D | D ₁ | D ₂ | b | Z-Φd | H | Do | |
| DZ40Y-16L | 20 | 150 | 105 | 75 | 55 | 14 | 4-Φ14 | 320 | 140 | 6 |
| | 25 | 160 | 115 | 85 | 65 | 14 | 4-Φ14 | 350 | 160 | 7 |
| | 32 | 180 | 135 | 100 | 78 | 16 | 4-Φ18 | 385 | 180 | 9 |
| | 40 | 200 | 145 | 110 | 85 | 16 | 4-Φ18 | 420 | 200 | 15 |
| | 50 | 250 | 160 | 125 | 100 | 16 | 4-Φ18 | 540 | 240 | 30 |
| | 65 | 265 | 180 | 145 | 120 | 18 | 4-Φ18 | 610 | 240 | 34 |
| | 80 | 280 | 195 | 160 | 135 | 20 | 8-Φ18 | 690 | 280 | 45 |
| | 100 | 300 | 215 | 180 | 155 | 20 | 8-Φ18 | 780 | 300 | 64 |
| | 125 | 325 | 245 | 210 | 185 | 22 | 8-Φ18 | 930 | 320 | 110 |
| | 150 | 350 | 280 | 240 | 210 | 24 | 8-Φ23 | 980 | 360 | 135 |
| | 200 | 400 | 335 | 295 | 265 | 26 | 12-Φ23 | 1180 | 400 | 195 |
| | 250 | 450 | 405 | 355 | 320 | 30 | 12-Φ25 | 1390 | 450 | 275 |
| | 300 | 500 | 460 | 410 | 375 | 30 | 12-Φ25 | 1620 | 560 | 380 |
| 350 | 550 | 520 | 470 | 425 | 34 | 16-Φ25 | 1810 | 640 | 594 | |
| 400 | 600 | 580 | 525 | 485 | 36 | 16-Φ30 | 1970 | 640 | 725 | |

主要外形和连接尺寸 Main External and Connection Dimension

单位Unit:mm

| 产品型号 Type | 公称通径 DN | PN2.5MPa | | | | | | | | WT(kg) |
|--------------|------------|----------|-----|----------------|----------------|--------|--------|------|-----|--------|
| | | L | D | D ₁ | D ₂ | b | Z-Φd | H | Do | |
| DZ40Y-25L | 20 | 150 | 105 | 75 | 55 | 16 | 4-Φ14 | 320 | 140 | 6 |
| | 25 | 160 | 115 | 85 | 65 | 16 | 4-Φ14 | 350 | 160 | 8 |
| | 32 | 180 | 135 | 100 | 78 | 18 | 4-Φ18 | 385 | 180 | 10 |
| | 40 | 200 | 145 | 110 | 85 | 18 | 4-Φ18 | 420 | 200 | 16 |
| | 50 | 250 | 160 | 125 | 100 | 20 | 4-Φ18 | 540 | 240 | 30 |
| | 65 | 265 | 180 | 145 | 120 | 22 | 8-Φ18 | 610 | 240 | 35 |
| | 80 | 280 | 195 | 160 | 135 | 22 | 8-Φ18 | 690 | 280 | 47 |
| | 100 | 300 | 230 | 190 | 160 | 24 | 8-Φ23 | 780 | 300 | 65 |
| | 125 | 325 | 270 | 220 | 188 | 28 | 8-Φ25 | 930 | 320 | 110 |
| | 150 | 350 | 300 | 250 | 218 | 30 | 8-Φ25 | 980 | 360 | 135 |
| | 200 | 400 | 360 | 310 | 278 | 34 | 12-Φ25 | 1180 | 400 | 215 |
| | 250 | 450 | 425 | 370 | 332 | 36 | 12-Φ30 | 1390 | 450 | 295 |
| | 300 | 500 | 485 | 430 | 390 | 40 | 16-Φ30 | 1620 | 560 | 400 |
| 350 | 550 | 550 | 490 | 448 | 44 | 16-Φ34 | 1810 | 640 | 630 | |
| 400 | 600 | 610 | 550 | 505 | 48 | 16-Φ34 | 1990 | 640 | 910 | |



主要外形和连接尺寸 Main External and Connection Dimension

单位Unit:mm

| 产品型号 Type | 公称通径 DN | PN1.6MPa | | | | | | | | WT(kg) | |
|--|------------|----------|-----|----------------|----------------|----------------|--------|------|----------------|----------------|----------------|
| | | L | D | D ₁ | D ₂ | D ₆ | Z-φd | H | D ₀ | F ₁ | F ₂ |
| Z ₁ 仿41H-16C Z ₂ 仿41H-16C Z ₁ 仿41Y-16I Z ₂ 仿41Y-16I Z ₁ 仿41Y-16P _I Z ₂ 仿41Y-16P _I Z ₁ 仿41Y-16P _{II} Z ₂ 仿41Y-16P _{II} | 50 | 250 | 160 | 125 | 100 | 16 | 4-φ18 | 362 | 250 | 29 | 32 |
| | 65 | 270 | 180 | 145 | 120 | 18 | 4-φ18 | 395 | 250 | 33 | 36 |
| | 80 | 280 | 195 | 160 | 135 | 20 | 8-φ18 | 426 | 300 | 46 | 49 |
| | 100 | 300 | 215 | 180 | 155 | 20 | 8-φ18 | 470 | 300 | 63 | 66 |
| | 125 | 325 | 245 | 210 | 185 | 22 | 8-φ18 | 520 | 350 | 98 | 102 |
| | 150 | 350 | 280 | 240 | 210 | 24 | 8-φ23 | 590 | 350 | 125 | 128 |
| | 200 | 400 | 335 | 295 | 265 | 26 | 12-φ23 | 725 | 400 | 185 | 188 |
| | 250 | 450 | 405 | 355 | 320 | 30 | 12-φ25 | 865 | 450 | 260 | 263 |
| | 300 | 500 | 460 | 410 | 375 | 30 | 12-φ25 | 1000 | 550 | 365 | 368 |
| | 350 | 550 | 520 | 470 | 435 | 34 | 16-φ25 | 1140 | 600 | 495 | 505 |
| 400 | 600 | 580 | 525 | 485 | 36 | 16-φ30 | 1285 | 650 | 685 | 688 | |

主要外形和连接尺寸 Main External and Connection Dimension

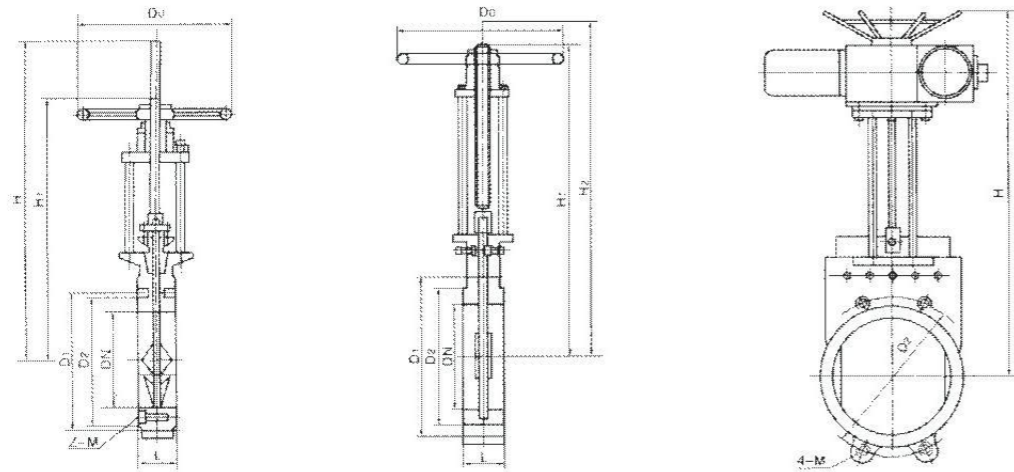
单位Unit:mm

| 产品型号 Type | 公称通径 DN | PN2.5MPa | | | | | | | | WT(kg) | |
|--|------------|----------|-----|----------------|----------------|----------------|--------|------|----------------|----------------|----------------|
| | | L | D | D ₁ | D ₂ | D ₆ | Z-φd | H | D ₀ | F ₁ | F ₂ |
| Z ₁ 仿41H-25 Z ₂ 仿41H-25 Z ₁ 仿41Y-25I Z ₂ 仿41Y-25I Z ₁ 仿41Y-25P _I Z ₂ 仿41Y-25P _I Z ₁ 仿41Y-25P _{II} Z ₂ 仿41Y-25P _{II} | 50 | 250 | 160 | 125 | 100 | 20 | 4-φ18 | 362 | 250 | 31 | 34 |
| | 65 | 270 | 180 | 145 | 120 | 22 | 8-φ18 | 395 | 250 | 35 | 38 |
| | 80 | 280 | 195 | 160 | 135 | 22 | 8-φ18 | 426 | 300 | 47 | 50 |
| | 100 | 300 | 230 | 190 | 160 | 24 | 8-φ23 | 470 | 300 | 65 | 68 |
| | 125 | 325 | 270 | 220 | 188 | 28 | 8-φ25 | 520 | 350 | 100 | 103 |
| | 150 | 350 | 300 | 250 | 218 | 30 | 8-φ25 | 590 | 350 | 130 | 133 |
| | 200 | 400 | 360 | 310 | 278 | 34 | 12-φ25 | 725 | 400 | 195 | 198 |
| | 250 | 450 | 425 | 370 | 332 | 36 | 12-φ30 | 865 | 450 | 275 | 278 |
| | 300 | 500 | 485 | 430 | 390 | 40 | 16-φ30 | 1000 | 550 | 392 | 395 |
| | 350 | 550 | 550 | 490 | 448 | 44 | 16-φ34 | 1140 | 650 | 535 | 538 |
| 400 | 600 | 610 | 550 | 505 | 48 | 16-φ34 | 1285 | 700 | 742 | 745 | |

主要外形和连接尺寸 Main External and Connection Dimension

单位Unit:mm

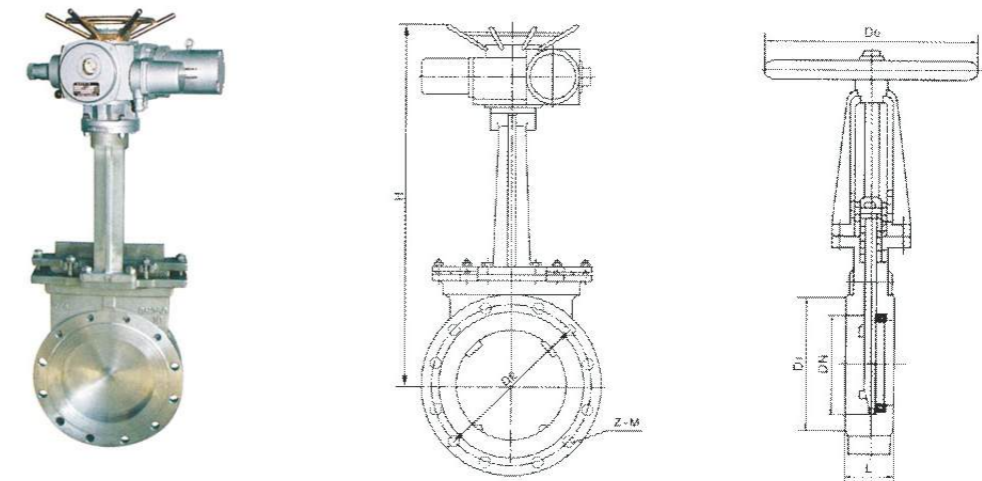
| 产品型号 Type | 公称通径 DN | PN4.0MPa | | | | | | | | WT(kg) | |
|--|------------|----------|-----|----------------|----------------|----------------|--------|------|----------------|----------------|----------------|
| | | L | D | D ₁ | D ₂ | D ₆ | Z-φd | H | D ₀ | F ₁ | F ₂ |
| Z ₁ 仿41H-40 Z ₂ 仿41H-40 Z ₁ 仿41Y-40 Z ₂ 仿41Y-40 Z ₁ 仿41Y-40P _I Z ₂ 仿41Y-40P _I Z ₁ 仿41Y-40P _{II} Z ₂ 仿41Y-40P _{II} | 50 | 250 | 160 | 125 | 100 | 88 | 4-φ18 | 371 | 280 | 31 | 34 |
| | 65 | 280 | 180 | 145 | 120 | 110 | 8-φ18 | 391 | 280 | 40 | 44 |
| | 80 | 310 | 195 | 160 | 135 | 121 | 8-φ18 | 455 | 320 | 52 | 58 |
| | 100 | 350 | 230 | 190 | 160 | 150 | 8-φ23 | 551 | 360 | 81 | 88 |
| | 125 | 400 | 270 | 220 | 188 | 176 | 8-φ25 | 628 | 400 | 125 | 135 |
| | 150 | 450 | 300 | 250 | 218 | 204 | 8-φ25 | 708 | 400 | 145 | 159 |
| | 200 | 550 | 375 | 320 | 282 | 260 | 12-φ30 | 885 | 450 | 253 | 268 |
| | 250 | 650 | 445 | 385 | 345 | 313 | 12-φ34 | 1015 | 560 | 360 | 372 |
| | 300 | 750 | 510 | 450 | 408 | 364 | 16-φ34 | 1135 | 640 | 556 | 569 |
| | 350 | 850 | 570 | 510 | 465 | 422 | 16-φ34 | 1250 | 720 | 700 | 720 |
| | 400 | 950 | 655 | 585 | 535 | 474 | 16-φ41 | 1400 | 720 | 789 | 818 |



主要外形和连接尺寸 Main External and Connection Dimension

单位Unit:mm

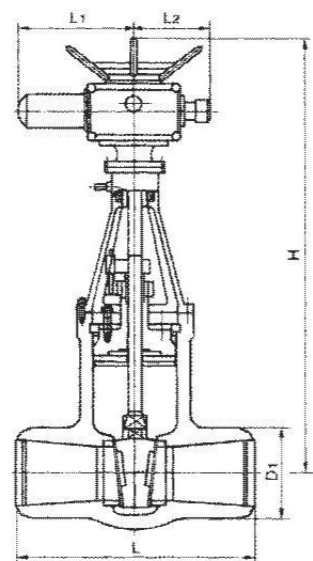
| 产品型号 Type | 公称通径 DN | 主要外形尺寸和连接尺寸 (mm) Main external and connecting dimensions | | | | | | | WT (kg) |
|---|------------|--|------|--------|--------|------|------|------|------------|
| | | L | D1 | D2 | Z-M | H | H1 | Do | |
| Z73X-2.5 Z73X-6 Z73X-10 Z573X-2.5 Z573X-6 Z573X-10 Z673X-2.5 Z673X-6 Z673X-10 Z973X-2.5 Z973X-6 Z973X-10 | 50 | 40 | 125 | 100 | 4-M16 | 337 | 268 | 180 | 80 |
| | 65 | 40 | 145 | 120 | 4-M16 | 357 | 291 | 180 | 90 |
| | 80 | 50 | 160 | 135 | 8-M16 | 400 | 316 | 180 | 112 |
| | 100 | 50 | 180 | 155 | 8-M16 | 466 | 364 | 200 | 140 |
| | 150 | 60 | 270 | 210 | 8-M20 | 633 | 478 | 240 | 195 |
| | 200 | 60 | 295 | 265 | 8-M20 | 744 | 543 | 280 | 260 |
| | 250 | 70 | 350 | 318 | 12-M20 | 940 | 687 | 360 | 370 |
| | 300 | 70 | 400 | 368 | 12-M20 | 1087 | 783 | 360 | 455 |
| | 350 | 80 | 460 | 430 | 16-M20 | 1238 | 885 | 400 | 640 |
| | 400 | 80 | 515 | 482 | 16-M24 | 1394 | 994 | 400 | 960 |
| | 450 | 90 | 565 | 532 | 20-M24 | 1550 | 1100 | 400 | 1280 |
| | 500 | 90 | 620 | 585 | 20-M24 | 1700 | 1200 | 400 | 1710 |
| | 600 | 100 | 725 | 685 | 20-M27 | 2080 | 1480 | 400 | 1895 |
| | 700 | 100 | 840 | 800 | 24-M27 | 1720 | 2470 | 800 | 2100 |
| 800 | 120 | 950 | 905 | 24-M30 | 2000 | 2900 | 800 | 2410 | |
| 900 | 150 | 1050 | 1005 | 28-M30 | 2130 | 3100 | 800 | 2660 | |
| Z73X-16C Z573X-16C Z673X-16C Z973X-16C | 200 | 60 | 295 | 180 | 12-M20 | 754 | 552 | 240 | 265 |
| | 250 | 68 | 355 | 230 | 12-M24 | 945 | 692 | 240 | 376 |
| | 300 | 78 | 410 | 280 | 12-M24 | 1010 | 788 | 370 | 455 |
| | 350 | 78 | 470 | 330 | 16-M24 | 1245 | 890 | 370 | 648 |
| | 400 | 102 | 525 | 380 | 16-M24 | 1685 | 1000 | 400 | 970 |
| | 450 | 114 | 585 | 430 | 20-M27 | 1835 | 1110 | 400 | 1300 |
| | 500 | 127 | 650 | 480 | 20-M30 | 1926 | 1230 | 400 | 1760 |
| 600 | 154 | 770 | 700 | 20-M36 | 2360 | 1500 | 800 | 1980 | |



主要外形和连接尺寸 Main External and Connection Dimension

单位Unit:mm

| 产品型号 Type | 公称通径 DN | 主要外形尺寸和连接尺寸 (mm) Main external and connecting dimensions | | | | | | | |
|---|---|--|-----|-----|--------|--------|-------|-----|------|
| | | L | D | D1 | D2 | Z-M | H | Do | W |
| Z73W-10 Z73H-10C Z73W-10P Z573W-10 Z573H-10C Z573W-10P Z673W-10 Z673H-10C Z673W-10P Z973W-10 Z973H-10C Z973W-10P | 50 | 48 | 160 | 125 | 100 | 4-M16 | 285 | 180 | 8 |
| | 65 | 48 | 180 | 145 | 120 | 4-M16 | 298 | 180 | 10 |
| | 80 | 50 | 195 | 160 | 135 | 4-M16 | 315 | 220 | 12 |
| | 100 | 50 | 215 | 180 | 155 | 8-M16 | 365 | 220 | 14 |
| | 150 | 57 | 280 | 240 | 210 | 8-M20 | 475 | 280 | 29 |
| | 200 | 70 | 335 | 295 | 265 | 8-M20 | 540 | 360 | 38 |
| | 250 | 70 | 390 | 350 | 320 | 12-M20 | 630 | 360 | 66 |
| | 300 | 76 | 440 | 400 | 368 | 12-M20 | 780 | 400 | 100 |
| | 350 | 76 | 500 | 460 | 428 | 16-M20 | 885 | 400 | 119 |
| | 400 | 89 | 565 | 515 | 482 | 16-M22 | 990 | 400 | 195 |
| | 450 | 89 | 615 | 565 | 532 | 20-M22 | 1100 | 530 | 285 |
| | 500 | 114 | 670 | 620 | 585 | 20-M22 | 1200 | 530 | 389 |
| | 600 | 114 | 780 | 725 | 685 | 20-M27 | 1450 | 600 | 529 |
| | Z73H-16C Z73W-16P Z73Y-16P Z573H-16C Z573W-16P Z573Y-16P Z673H-16C Z673W-16P Z673Y-16P Z973H-16C Z973W-16P Z973Y-16P | 50 | 48 | 165 | 125 | 99 | 4-M16 | 285 | 180 |
| 65 | | 48 | 185 | 145 | 118 | 4-M16 | 295 | 180 | 10.7 |
| 80 | | 50 | 200 | 160 | 132 | 8-M15 | 315 | 220 | 13 |
| 100 | | 50 | 220 | 180 | 156 | 8-M16 | 365 | 220 | 15 |
| 150 | | 57 | 285 | 240 | 211 | 8-M20 | 475 | 280 | 31 |
| 200 | | 70 | 340 | 295 | 266 | 12-M20 | 540 | 360 | 40.7 |
| 250 | | 70 | 405 | 355 | 319 | 12-M24 | 630 | 360 | 70 |
| 300 | | 76 | 460 | 410 | 370 | 12-M24 | 780 | 400 | 107 |
| 350 | | 76 | 520 | 470 | 429 | 16-M24 | 885 | 400 | 129 |
| 400 | | 89 | 580 | 525 | 480 | 16-M27 | 990 | 400 | 215 |
| 450 | | 89 | 640 | 585 | 548 | 20-M27 | 1100 | 530 | 305 |
| 500 | 114 | 715 | 650 | 609 | 20-M30 | 1200 | 530 | 410 | |
| 600 | 114 | 840 | 775 | 720 | 20-M33 | 1450 | 600 | 550 | |



产品规范 Product Specification

| 产品规范 Product Specification | 设计规范 Design Spec. | 结构长度 Face to Face | 连接法兰 Flange End | 试验与检验 Test & Check | 压力-温度 Pressure-Temp | 产品标识 Marking |
|-------------------------------|----------------------|----------------------|--------------------|-----------------------|------------------------|-----------------|
| | JB/T 7746 | JB/T 7746 | JB/T 79 | JB/T 9092 | GB/T9131 | GB/T 12220 |

产品性能规范 Chief Property and Specification

| 产品型号 Product type | 公称压力 PN(MPa) Nominal pressure | 试验压力(MPa) Test pressure | | 工作压力(MPa) Working pressure | 工作温度(°C) Working temperature | 适用介质 Applicable medium |
|----------------------|-------------------------------------|-------------------------|-------------------------|-------------------------------|---------------------------------|---------------------------|
| | | 强度试验 Shell test | 密封试验/上密封试验 Seal test | | | |
| Z960Y-250 | 25 | 37.5 | 27.5 | - | ≤425 | 水、蒸汽 Water, steam |
| Z960Y-320 | 32 | 48.0 | 36.0 | - | ≤425 | |
| Z960Y-P54100 | - | 30.0 | 22.0 | P5410 | ≤540 | 蒸汽 steam |
| Z960Y-P54170 | - | 48.0 | 36.0 | P5417 | ≤540 | |

主要零部件材料 Main Part Material

| 零件名称 Part name | 材料牌号 Material Designation | | |
|---------------------|--|------------------|------------------|
| 阀体 Body | WCB | WC6 | WC9 |
| 阀板 Disc | WCB | WC6 | WC9 |
| 阀盖 Bonnet | 25 | 12Cr1Mo1VA | |
| 阀杆 Stem | 1Cr17Ni2 | 20Cr1Mo1VA | |
| 阀座 Seat | 25 | 12Cr1Mo1VA | |
| 密封环 Sealing ring | S软钢(增强柔性石墨) S soft steel(flexible graphite) | S软钢 S soft steel | F软钢 F soft steel |
| 填料 Packing | 增强柔性石墨 Flexible graphite | | |
| 支架 Yoke | WCB | WCB或WC6 | |
| 阀杆螺母 Stem nut | 45(ZCuZn25A16Fe3Mn3) | | |
| 四开环 Four piece ring | 1Cr13 | 20Cr1Mo1VA | |

主要外形和连接尺寸 Main External Connection Dimension

单位Unit:mm

| 产品型号 Type | 公称通径 DN | 主要外形尺寸和连接尺寸 (mm) Main external and connecting dimensions | | | | | 电动装置 Electric device | WT(kg) |
|---------------|------------|---|------|------|-----|-----|-------------------------|--------|
| | | d | L | H | L1 | L | | |
| Z960Y-250 | 100 | 84 | 406 | 1164 | 437 | 277 | DZW45 | 234 |
| | 125 | 100 | 483 | 1402 | 437 | 277 | DZW60 | 343 |
| | 175 | 158 | 711 | 1650 | 554 | 309 | DZW180 | 638 |
| | 225 | 200 | 864 | 1650 | 554 | 309 | DZW180 | 654 |
| | 300 | 280 | 1067 | 2106 | 764 | 398 | DZW350 | 1973 |
| Z960Y-320 | 100 | 96 | 533 | 1236 | 437 | 277 | DZW180 | 291 |
| | 125 | 118 | 610 | 1302 | 437 | 277 | DZW180 | 315 |
| | 150 | 148 | 762 | 1403 | 526 | 283 | DZW180 | 672 |
| | 175 | 148 | 762 | 1650 | 554 | 309 | DZW180 | 684 |
| | 225 | 222 | 1041 | 1650 | 554 | 309 | DZW250 | 696 |
| Z960Y-P54170V | 175 | 148 | 762 | 1650 | 554 | 309 | DZW60 | 683 |
| | 225 | 222 | 1041 | 1650 | 554 | 309 | DZW180 | 704 |
| | 250 | 222 | 1041 | 1795 | 554 | 309 | DZW500 | 1214 |
| | 300 | 294 | 1245 | 2080 | 554 | 309 | DZW500 | 2125 |
| Z960Y-P54100V | 125 | 98 | 630 | 1230 | 437 | 277 | DZWC-4 | 312 |
| | 225 | 186 | 1060 | 1680 | 554 | 309 | | 1401 |
| | 300 | 278 | 1397 | 2265 | 764 | | | 2834 |
| | 325 | 310 | 1448 | 2265 | 690 | 398 | | 2632 |
| | 350 | 338 | 1550 | 2536 | 715 | | | 5591 |

主要外形和连接尺寸 Main External and Connection Dimension

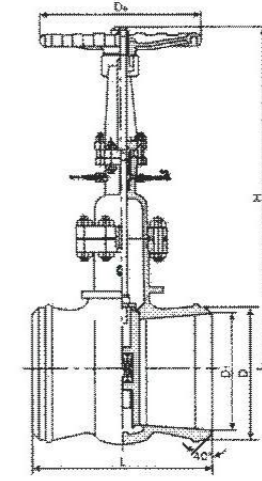
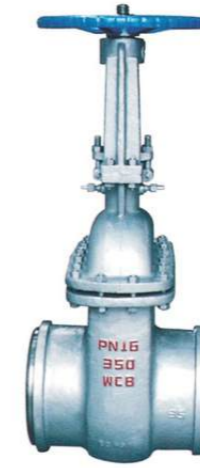
单位Unit:mm

| 产品型号 Type | 公称 通径 DN | PN6.4MPa | | | | | | | | | WT (kg) | 选配电装E.A | | WT (kg) |
|--|----------------|----------|-----|----------------|----------------|----------------|--------|--------|------|----------------|------------|---------|---------|------------|
| | | L | D | D ₁ | D ₂ | D ₆ | b | Z-Φd | H | D _o | | H | Type | |
| DS/Z44H-64 DS/Z944H-64 SZ40H-64 SZ940H-64 | 50 | 250 | 175 | 125 | 105 | 88 | 26 | 4-Φ23 | 337 | 300 | 30 | 622 | DWZ10 | 58 |
| | 65 | 280 | 200 | 160 | 130 | 110 | 28 | 8-Φ23 | 441 | 300 | 41 | 714 | DWZ15 | 69 |
| | 80 | 310 | 210 | 170 | 140 | 121 | 30 | 8-Φ23 | 496 | 350 | 45 | 765 | DWZ20I | 73 |
| | 100 | 350 | 250 | 200 | 168 | 150 | 32 | 8-Φ25 | 578 | 400 | 62 | 840 | DWZ20I | 90 |
| | 125 | 400 | 295 | 240 | 202 | 176 | 36 | 8-Φ30 | 588 | 400 | 97 | 852 | DWZ30 | 124 |
| | 150 | 450 | 340 | 280 | 240 | 204 | 38 | 8-Φ34 | 610 | 450 | 115 | 875 | DWZ30 | 142 |
| | 200 | 550 | 405 | 345 | 300 | 260 | 44 | 12-Φ34 | 744 | 550 | 172 | 1195 | DWZ45 | 270 |
| | 250 | 650 | 470 | 400 | 352 | 313 | 48 | 12-Φ41 | 867 | 650 | 211 | 1225 | DWZ60 | 317 |
| | 300 | 750 | 530 | 460 | 412 | 364 | 54 | 16-Φ41 | 996 | 750 | 271 | 1393 | DWZ900 | 399 |
| | 350 | 850 | 595 | 525 | 475 | 422 | 60 | 16-Φ41 | 1142 | 850 | 518 | 1507 | DWZ120I | 467 |
| 400 | 950 | 670 | 585 | 525 | 474 | 66 | 16-Φ48 | 1537 | 900 | 633 | 2075 | DWZ180 | 882 | |

主要外形和连接尺寸 Main External and Connection Dimension

单位Unit:mm

| 产品型号 Type | 公称 通径 DN | PN10.0MPa | | | | | | | | | WT (kg) | 选配电装E.A | | WT (kg) |
|--|----------------|-----------|-----|----------------|----------------|----------------|--------|--------|------|----------------|------------|---------|---------|------------|
| | | L | D | D ₁ | D ₂ | D ₆ | b | Z-Φd | H | D _o | | H | Type | |
| DS/Z44H-100 DS/Z944H-100 SZ40H-100 SZ940H-100 | 50 | 250 | 195 | 145 | 112 | 88 | 28 | 4-Φ25 | 337 | 300 | 34 | 622 | DWZ10 | 62 |
| | 65 | 280 | 220 | 170 | 138 | 110 | 32 | 8-Φ25 | 441 | 300 | 46 | 714 | DWZ15 | 74 |
| | 80 | 310 | 230 | 180 | 148 | 121 | 34 | 8-Φ25 | 496 | 350 | 50 | 765 | DWZ20I | 78 |
| | 100 | 350 | 265 | 210 | 172 | 150 | 38 | 8-Φ30 | 578 | 400 | 67 | 840 | DWZ30I | 95 |
| | 125 | 400 | 310 | 250 | 210 | 176 | 42 | 8-Φ34 | 588 | 400 | 102 | 852 | DWZ30 | 129 |
| | 150 | 450 | 350 | 290 | 250 | 204 | 46 | 12-Φ34 | 610 | 450 | 121 | 875 | DWZ45 | 221 |
| | 200 | 550 | 430 | 360 | 312 | 260 | 54 | 12-Φ41 | 744 | 550 | 178 | 1195 | DWZ60 | 235 |
| | 250 | 650 | 500 | 430 | 382 | 313 | 60 | 12-Φ41 | 867 | 650 | 217 | 1225 | DWZ90I | 345 |
| | 300 | 750 | 585 | 500 | 442 | 364 | 70 | 16-Φ48 | 996 | 750 | 278 | 1393 | DWZ120I | 409 |
| | 350 | 850 | 655 | 560 | 498 | 422 | 76 | 16-Φ54 | 1142 | 850 | 524 | 1507 | DWZ180 | 773 |
| 400 | 950 | 715 | 620 | 558 | 474 | 80 | 16-Φ54 | 1537 | 950 | 640 | 2075 | DWZ250 | 892 | |



主要外形和连接尺寸 Main External and Connection Dimension

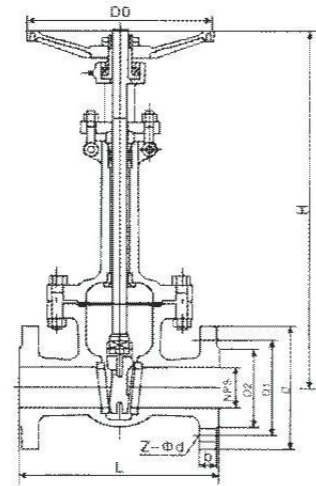
单位Unit:mm

| 产品型号 Type | 公称 通径 DN | L | H | D _o | PN1.6MPa | | | PN2.5MPa | | |
|--|----------------|------|------|----------------|----------|----------------|--------|----------|----------------|--------|
| | | | | | D | D ₁ | WT(kg) | D | D ₁ | WT(kg) |
| DS/Z64H-16C DS/Z64H-25 SZ60H-16C SZ60H-25 | 50 | 250 | 334 | 250 | 58 | 50 | 19 | 64 | 49 | 23 |
| | 65 | 270 | 439 | 250 | 75 | 65 | 32 | 82 | 67 | 35 |
| | 80 | 280 | 495 | 300 | 91 | 79 | 34 | 95 | 77 | 37 |
| | 100 | 300 | 575 | 350 | 110 | 97 | 44 | 117 | 101 | 49 |
| | 125 | 325 | 587 | 350 | 136 | 121 | 75 | 144 | 126 | 78 |
| | 150 | 350 | 607 | 350 | 163 | 146 | 82 | 172 | 158 | 105 |
| | 200 | 400 | 740 | 400 | 223 | 202 | 158 | 223 | 202 | 160 |
| | 250 | 450 | 863 | 400 | 278 | 254 | 184 | 278 | 254 | 188 |
| | 300 | 500 | 990 | 400 | 330 | 305 | 245 | 330 | 305 | 249 |
| | 350 | 550 | 1137 | 500 | 382 | 352 | 492 | 382 | 352 | 497 |
| 400 | 600 | 1523 | 500 | 432 | 399 | 588 | 432 | 399 | 592 | |
| 450 | 650 | 1618 | 600 | 485 | 451 | 683 | 485 | 451 | 688 | |
| 500 | 700 | 1657 | 600 | 535 | 501 | 846 | 535 | 499 | 853 | |
| 600 | 800 | 1746 | 700 | 636 | 601 | 1013 | 636 | 599 | 1020 | |

主要外形和连接尺寸 Main External and Connection Dimension

单位Unit:mm

| 产品型号 Type | 公称 通径 DN | L | D | PN4.0MPa | | | | PN6.4MPa | | | | PN10.0MPa | | | |
|---|----------------|-----|-----|----------------|------|----------------|--------|----------------|------|----------------|--------|----------------|------|----------------|--------|
| | | | | D ₁ | H | D _o | WT(kg) | D ₁ | H | D _o | WT(kg) | D ₁ | H | D _o | WT(kg) |
| DS/Z64H-40 DS/Z64H-64 DS/Z64H-100 | 50 | 250 | 64 | 49 | 345 | 300 | 30 | 50 | 350 | 300 | 34 | 49 | 350 | 300 | 37 |
| | 65 | 270 | 83 | 67 | 441 | 300 | 38 | 66 | 447 | 300 | 41 | 64 | 447 | 300 | 44 |
| | 80 | 280 | 96 | 79 | 495 | 350 | 42 | 77 | 499 | 350 | 45 | 75 | 499 | 350 | 47 |
| | 100 | 300 | 117 | 101 | 575 | 350 | 52 | 99 | 582 | 400 | 55 | 97 | 582 | 400 | 57 |
| | 125 | 325 | 144 | 126 | 587 | 400 | 80 | 129 | 590 | 400 | 83 | 125 | 590 | 400 | 87 |
| | 150 | 350 | 172 | 152 | 607 | 400 | 107 | 150 | 611 | 450 | 110 | 145 | 611 | 450 | 113 |
| SZ60H-40 SZ60H-64 SZ60H-64 | 200 | 400 | 223 | 200 | 740 | 450 | 164 | 198 | 745 | 550 | 169 | 190 | 747 | 550 | 172 |
| | 250 | 450 | 278 | 252 | 863 | 550 | 191 | 246 | 867 | 650 | 195 | 236 | 869 | 650 | 198 |
| | 300 | 500 | 330 | 302 | 1008 | 650 | 254 | 294 | 1008 | 750 | 260 | 282 | 1013 | 750 | 265 |
| | 350 | 550 | 382 | 350 | 1142 | 750 | 499 | 342 | 1148 | 800 | 504 | 334 | 1148 | 850 | 508 |
| | 400 | 600 | 432 | 397 | 1527 | 850 | 598 | 387 | 1531 | 900 | 604 | 377 | 1533 | 950 | 610 |



主要外形和连接尺寸 Main External and Connection Dimension

单位Unit:mm

| 产品型号 Type | NPS | DN | Class150Lb | | | | | | | | WT(kg) |
|--------------|--------|-----|------------|-------|----------------|----------------|--------|--------|------|-----|--------|
| | in | mm | L | D | D ₁ | D ₂ | b | Z-φd | H | Do | |
| DZ40Y-150Lb | 1" | 25 | 127 | 108 | 79.5 | 51 | 12 | 4-φ15 | 350 | 100 | 9 |
| | 1 1/4" | 32 | 140 | 117 | 89 | 64 | 13 | 4-φ15 | 385 | 100 | 11 |
| | 1 1/2" | 40 | 165 | 127 | 98.5 | 73 | 15 | 4-φ15 | 420 | 140 | 15 |
| | 2" | 50 | 178 | 152 | 120.5 | 92 | 16 | 4-φ19 | 540 | 200 | 23 |
| | 2 1/2" | 65 | 190 | 178 | 139.7 | 105 | 18 | 4-φ19 | 610 | 250 | 27 |
| | 3" | 80 | 203 | 190 | 152.5 | 127 | 19 | 4-φ19 | 690 | 250 | 40 |
| | 4" | 100 | 229 | 229 | 190.5 | 157 | 23.9 | 8-φ19 | 780 | 250 | 50 |
| | 5" | 125 | 254 | 254 | 215.9 | 186 | 25.4 | 8-φ22 | 930 | 300 | 70 |
| | 6" | 150 | 267 | 279 | 241.5 | 216 | 28.5 | 8-φ22 | 980 | 300 | 85 |
| | 8" | 200 | 292 | 343 | 298.5 | 270 | 30.2 | 8-φ22 | 1180 | 350 | 135 |
| | 10" | 250 | 330 | 406 | 362 | 324 | 31.2 | 12-φ25 | 1390 | 400 | 180 |
| | 12" | 300 | 356 | 483 | 432 | 381 | 31.8 | 12-φ25 | 1620 | 450 | 265 |
| | 14" | 350 | 381 | 533 | 476.5 | 413 | 35 | 12-φ29 | 1810 | 500 | 420 |
| 16" | 400 | 406 | 597 | 539.5 | 470 | 36.6 | 16-φ29 | 1970 | 600 | 550 | |

主要外形和连接尺寸 Main External and Connection Dimension

单位Unit:mm

| 产品型号 Type | NPS | DN | Class300Lb | | | | | | | | WT(kg) |
|--------------|--------|-----|------------|-------|----------------|----------------|--------|--------|------|-----|--------|
| | in | mm | L | D | D ₁ | D ₂ | b | Z-φd | H | Do | |
| DZ40Y-300Lb | 1" | 25 | 165 | 124 | 89 | 51 | 18 | 4-φ19 | 360 | 125 | 10 |
| | 1 1/4" | 32 | 178 | 133 | 98.5 | 63 | 19 | 4-φ19 | 390 | 160 | 15 |
| | 1 1/2" | 40 | 190 | 156 | 114.5 | 73 | 21 | 4-φ22 | 420 | 160 | 20 |
| | 2" | 50 | 216 | 165 | 127 | 92 | 22.3 | 8-φ19 | 575 | 200 | 30 |
| | 2 1/2" | 65 | 241 | 190 | 149.4 | 105 | 25 | 8-φ22 | 635 | 250 | 38 |
| | 3" | 80 | 283 | 210 | 168 | 127 | 28.5 | 8-φ22 | 715 | 250 | 51 |
| | 4" | 100 | 305 | 256 | 200 | 157 | 31.8 | 8-φ22 | 865 | 250 | 79 |
| | 5" | 125 | 381 | 279 | 235 | 186 | 35 | 8-φ22 | 865 | 300 | 115 |
| | 6" | 150 | 403 | 318 | 270 | 216 | 36.6 | 12-φ22 | 1025 | 350 | 140 |
| | 8" | 200 | 419 | 381 | 330 | 270 | 41.3 | 12-φ25 | 1225 | 400 | 220 |
| | 10" | 250 | 457 | 444 | 387.5 | 324 | 47.7 | 16-φ29 | 1440 | 450 | 290 |
| | 12" | 300 | 502 | 521 | 451 | 381 | 50.8 | 16-φ32 | 1665 | 500 | 410 |
| | 14" | 350 | 762 | 584 | 514.5 | 413 | 54 | 20-φ32 | 1880 | 600 | 600 |
| 16" | 400 | 838 | 648 | 571.5 | 470 | 57.2 | 20-φ35 | 2050 | 600 | 750 | |

主要外形和连接尺寸 Main External and Connection Dimension

单位Unit:mm

| 产品型号 Type | NPS | DN | Class600Lb | | | | | | | | WT(kg) |
|--------------|--------|-----|------------|-----|----------------|----------------|------|--------|------|-----|--------|
| | in | mm | L | D | D ₁ | D ₂ | b | Z-φd | H | Do | |
| DZ40Y-600Lb | 1" | 25 | 216 | 124 | 89 | 51 | 18 | 4-φ19 | 380 | 160 | 15 |
| | 1 1/4" | 32 | 229 | 133 | 98.5 | 63 | 21 | 4-φ19 | 430 | 200 | 20 |
| | 1 1/2" | 40 | 241 | 156 | 114.5 | 73 | 23 | 4-φ22 | 575 | 200 | 30 |
| | 2" | 50 | 292 | 165 | 127 | 92 | 25.4 | 8-φ19 | 630 | 250 | 45 |
| | 2 1/2" | 65 | 330 | 190 | 149.4 | 100 | 29 | 8-φ22 | 700 | 250 | 58 |
| | 3" | 80 | 356 | 210 | 168 | 127 | 31.8 | 8-φ22 | 760 | 250 | 75 |
| | 4" | 100 | 432 | 273 | 216 | 157 | 38.1 | 8-φ25 | 900 | 350 | 126 |
| | 5" | 125 | 511 | 330 | 266.5 | 186 | 44 | 8-φ29 | 990 | 350 | 186 |
| | 6" | 150 | 559 | 356 | 292 | 216 | 47.7 | 12-φ29 | 1070 | 450 | 260 |
| | 8" | 200 | 660 | 419 | 349 | 270 | 55.6 | 12-φ32 | 1280 | 500 | 385 |
| | 10" | 250 | 787 | 508 | 432 | 324 | 63.5 | 16-φ35 | 1500 | 600 | 500 |
| | 12" | 300 | 838 | 559 | 489 | 381 | 66.7 | 20-φ35 | 1740 | 680 | 574 |
| | 14" | 350 | 889 | 603 | 527 | 413 | 70 | 20-φ39 | 1890 | 720 | 740 |
| | 16" | 400 | 991 | 686 | 603 | 470 | 77 | 20-φ41 | 2125 | 720 | 920 |

主要外形和连接尺寸 Main External and Connection Dimension

单位Unit:mm

| 产品型号 Type | NPS | DN | Class300Lb | | | | | | | | WT(kg) |
|--|-------|------|------------|-----|----------------|----------------|--------|--------|------|------|--------|
| | in | mm | L | D | D ₁ | D ₂ | b | Z-Φd | H | Do | |
| Z40H-300Lb (Body:WCB) Z40H-300Lbp (Body:CF8) Z40H-300Lb (Body:CF8) Z40H-300LbR (Body:CF8M) Z40H-300LbPL (Body:CF3) Z40H-300LbRL (Body:CF3M) | 2 | 50 | 216 | 165 | 127 | 92 | 22 | 8-Φ19 | 330 | 250 | 30 |
| | 2 1/2 | 65 | 241 | 190 | 149 | 105 | 25 | 8-Φ22 | 368 | 250 | 36 |
| | 3 | 80 | 283 | 210 | 168.5 | 127 | 29 | 8-Φ22 | 394 | 300 | 61 |
| | 4 | 100 | 305 | 254 | 200 | 157 | 32 | 8-Φ22 | 473 | 300 | 77 |
| | 5 | 125 | 381 | 279 | 235 | 186 | 35 | 8-Φ22 | 660 | 350 | 106 |
| | 6 | 150 | 403 | 318 | 270 | 216 | 37 | 12-Φ22 | 711 | 350 | 153 |
| | 8 | 200 | 419 | 381 | 330 | 270 | 41 | 12-Φ25 | 813 | 400 | 286 |
| | 10 | 250 | 457 | 444 | 387.5 | 324 | 48 | 16-Φ29 | 1003 | 500 | 412 |
| | 12 | 300 | 502 | 521 | 451 | 381 | 51 | 16-Φ32 | 1137 | 600 | 576 |
| | 14 | 350 | 762 | 584 | 514.5 | 413 | 54 | 20-Φ32 | 1489 | 600 | 886 |
| | 16 | 400 | 838 | 648 | 571.5 | 470 | 57 | 20-Φ35 | 1571 | 650 | 1175 |
| | 18 | 450 | 914 | 711 | 628.5 | 533 | 60 | 24-Φ35 | 2017 | 838 | 1301 |
| 20 | 500 | 991 | 775 | 686 | 584 | 64 | 24-Φ35 | 2228 | 889 | 1672 | |
| 24 | 600 | 1143 | 914 | 813 | 692 | 70 | 24-Φ41 | 2650 | 1092 | 2562 | |

主要特点

- ※全通径, 明杆带支架
- ※中法兰螺栓连接
- ※带导向的弹性闸板
- ※美标结构改进型
- ※加长保温颈
- ※伞齿轮操作选配
- ※标准法兰连接

CHIEF FEATURES

- ※FULL PORT, OUTSIDE SCREW AND YOKE(OS&Y)
- ※BOLTED BONNET
- ※FLEXIBLE WEDGE, FULLY GUIDED
- ※STRUCTURE IMPROVE ON API
- ※EXTENSION GROUNDING NECK
- ※AVAILABLE WITH GEAR OPERATOR
- ※FLANGED ENDS



主要外形和连接尺寸 Main External and Connection Dimension

单位Unit:mm

| 产品型号 Type | NPS | DN | Class600Lb | | | | | | | | WT(kg) |
|--|-------|------|------------|-----|----------------|----------------|--------|--------|------|------|--------|
| | in | mm | L | D | D ₁ | D ₂ | b | Z-Φd | H | Do | |
| Z40H-600Lb (Body:WCB) Z40H-600Lbp (Body:CF8) Z40H-600Lb (Body:CF8) Z40H-600LbR (Body:CF8M) Z40H-600LbPL (Body:CF3) Z40H-600LbRL (Body:CF3M) | 2 | 50 | 292 | 165 | 127 | 92 | 33 | 8-Φ19 | 510 | 254 | 44 |
| | 2 1/2 | 65 | 330 | 190 | 149 | 100 | 36 | 8-Φ22 | 554 | 254 | 60 |
| | 3 | 80 | 356 | 210 | 168 | 127 | 39 | 8-Φ22 | 595 | 305 | 80 |
| | 4 | 100 | 432 | 273 | 216 | 157 | 45 | 8-Φ25 | 712 | 356 | 145 |
| | 5 | 125 | 508 | 330 | 266.5 | 186 | 52 | 8-Φ29 | 826 | 406 | 236 |
| | 6 | 150 | 559 | 356 | 292 | 216 | 55 | 12-Φ29 | 995 | 508 | 309 |
| | 8 | 200 | 660 | 419 | 349 | 270 | 63 | 12-Φ32 | 1157 | 610 | 522 |
| | 10 | 250 | 787 | 508 | 432 | 324 | 71 | 16-Φ35 | 1373 | 686 | 779 |
| | 12 | 300 | 838 | 559 | 489 | 381 | 74 | 20-Φ35 | 1603 | 686 | 1108 |
| | 14 | 350 | 889 | 603 | 527 | 413 | 77 | 20-Φ38 | 1930 | 762 | 1503 |
| | 16 | 400 | 991 | 686 | 603 | 470 | 84 | 20-Φ41 | 2032 | 889 | 1939 |
| | 18 | 450 | 1092 | 743 | 654 | 533 | 90 | 20-Φ44 | 2286 | 889 | 2733 |
| 20 | 500 | 1194 | 813 | 724 | 584 | 96 | 24-Φ44 | 2591 | 1118 | 3214 | |
| 24 | 600 | 1397 | 940 | 838 | 692 | 109 | 24-Φ52 | 3124 | 1118 | 4177 | |

产品规范 Product Specification

| 产品规范 Product Specification | 设计规范 Design Spec. | 结构长度 Face to Face | 连接法兰 Flange End | 试验与检验 Test & Check | 压力-温度 Pressure-Temp | 产品标识 Marking | 供货规范 Supply |
|-------------------------------|----------------------|----------------------|--------------------|-----------------------|------------------------|-----------------|----------------|
| | API600 | ANSI B16.10 | ANSI B16.5 | API598 | ANSI B16.34 | MSS SP-25 | API600 |

主要零部件材料 Main Part Material

| 零件名称 Part name | 零部件材料 Part Material | | | | | | |
|----------------------|---|----------|----------|-----------|----------|----------|------------|
| 阀体 Body | A352-LCB | A352-LC1 | A352-LC2 | A352-LC3 | A352-LC4 | A352-LC8 | A352-CF3 |
| 阀盖 Bonnet | A352-LCB | A352-LC1 | A352-LC2 | A352-LC3 | A352-LC4 | A352-LC8 | A352-CF3 |
| 闸板 Wedge | A352-LCB | A352-LC1 | A352-LC2 | A352-LC3 | A352-LC4 | A352-LC8 | A352-CF3 |
| 阀杆 Stem | A182-F431 | | | A182-F304 | | | A182-F304L |
| 密封副 Hard Trim | STL+STL | | | STL+STL | | | STL+STL |
| 填料 Packing | 柔性石墨Flexible Graphite(聚四氟乙烯/PTFE) | | | | | | |
| 垫片 Gasket | 18-8柔性石墨Flexible Graphite | | | | | | |
| 螺栓 Bolt | A193-B7M | | | A193-B8 | | A193-B8M | |
| 适用温度 Suitable Temp | -46℃ | -60℃ | -73℃ | -101℃ | -115℃ | -196℃ | -196℃ |
| 适用介质 Suitable Medium | 丙烷、丙烯、甲醇、乙烷、煤气、液氮 Propane, Propylene, Methanol, Ethanol, Coal-Gas, Liquid Ammonia | | | | | | |

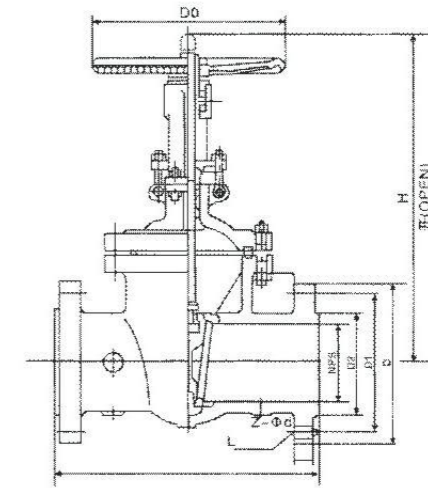
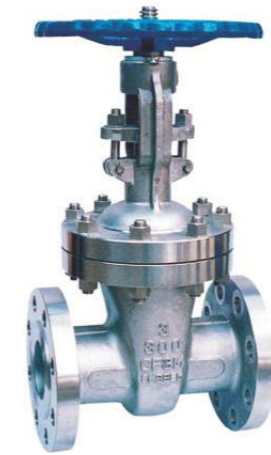
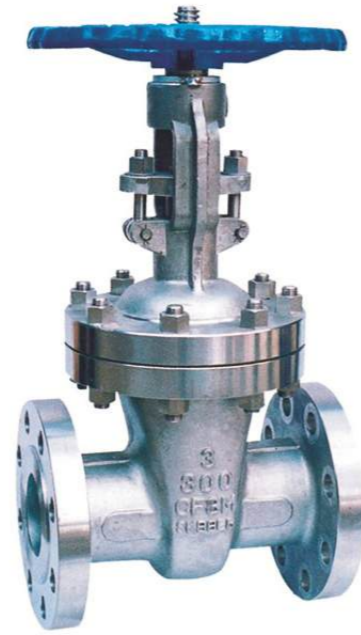
美标阀门系列 ANSI VALVES

主要特点

- ※全通径, 明杆带支架
- ※中法兰螺栓连接
- ※带导向的弹性闸板
- ※阀杆升降, 手轮不升降
- ※伞齿轮操作选配
- ※标准法兰连接
- ※对焊连接

CHIEF FEATURES

- ※FULL PORT, OUTSIDE SCREW AND YOKE(OS&Y)
- ※BOLTED BONNET
- ※FLEXIBLE WEDGE, FULLY GUIDED
- ※RISING STEM AND NON-RISING HANDWHEEL
- ※AVAILABLE WITH GEAR OPERATOR
- ※FLANGED ENDS
- ※BUTT-WELDING ENDS



产品规范 Product Specification

| 产品规范 Product Specification | 设计规范 Design Spec. | 结构长度 Face to Face | 连接法兰 Flange End | 试验与检验 Test & Check | 压力-温度 Pressure-Temp | 产品标识 Marking | 供货规范 Supply |
|-------------------------------|----------------------|----------------------|--------------------|-----------------------|------------------------|-----------------|----------------|
| | API600 | ANSI B16.10 | ANSI B16.5 | API598 | ANSI B16.34 | MSS SP-25 | API608 |
| | API6D | API6D | | API6D | | | API6D |

主要零部件材料 Main Part Material

| 零件名称 Part name | 零部件材料 Part Material | | | |
|----------------------|---------------------------------|---------------------|--------------------|--------------------|
| | JB/T 7298 | | API6D | |
| 阀体、阀盖 Body, Bonnet | A216-WCB | A217-WC6 | A352-LCB | A351-CF8M |
| 阀板 Wedge | A182-WCB | A217-WC6 | A352-LCB | A351-CF8M |
| 阀杆 Stem | A182-F6a | A182-F11 | A182-F6a | A182-F316 |
| 填料 Packing | 柔性石墨/Flexible Graphite | | 聚四氟乙烯/PTFE | |
| 垫片 Gasket | 18-8/柔性石墨/18-8Flexible Graphite | | | |
| 螺栓 Bolt | A193-B7 | A193-B7 | A193-B7M | A193-B8 |
| 适用温度 Suitable Temp. | -29-425℃ | -29-550℃ | -46-350℃ | -40-200℃ |
| 适用介质 Suitable Medium | 水、油品、蒸汽 Water, oil, steam | 蒸汽、油品 steam, oil | 丙烷、乙烯 Stem, oil | 硝酸类 Nitric Acid |

主要外形和连接尺寸 Main External and Connection Dimension

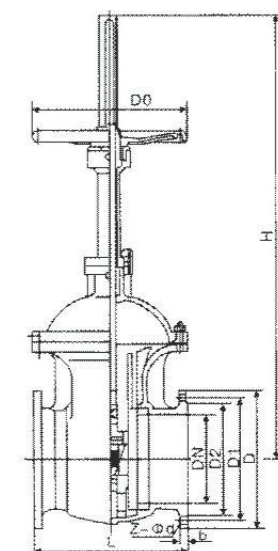
单位Unit:mm

| 产品型号 Type | NPS | DN | Class150Lb | | | | | | | WT(kg) | |
|--|--------|-----|------------|-------|-------|-----|--------|--------|------|--------|-----|
| | in | mm | L | D | D1 | D2 | b | Z-φd | H | | Do |
| Z40H-150Lb (Body:WCB) Z40H-150Lbp (Body:CF8) Z40H-150Lb (Body:CF8) Z40H-150LbR (Body:CF8M) Z40H-150LbPL (Body:CF3) Z40H-150LbRL (Body:CF3M) | 2" | 50 | 178 | 152 | 120.5 | 92 | 16 | 4-φ19 | 323 | 200 | 18 |
| | 2 1/2" | 65 | 190 | 178 | 139.5 | 105 | 18 | 4-φ19 | 347 | 250 | 28 |
| | 3" | 80 | 203 | 190 | 152.5 | 127 | 19 | 4-φ19 | 383 | 250 | 30 |
| | 4" | 100 | 229 | 229 | 190.5 | 157 | 24 | 8-φ19 | 457 | 300 | 50 |
| | 5" | 125 | 254 | 254 | 216 | 186 | 24 | 8-φ22 | 632 | 300 | 63 |
| | 6" | 150 | 267 | 279 | 241.5 | 216 | 26 | 8-φ22 | 635 | 350 | 85 |
| | 8" | 200 | 292 | 343 | 298.5 | 270 | 29 | 8-φ22 | 762 | 350 | 128 |
| | 10" | 250 | 330 | 406 | 362 | 324 | 31 | 12-φ25 | 895 | 400 | 220 |
| | 12" | 300 | 356 | 483 | 432 | 381 | 32 | 12-φ25 | 1080 | 500 | 310 |
| | 14" | 350 | 381 | 533 | 476 | 413 | 35 | 12-φ29 | 1295 | 600 | 450 |
| | 16" | 400 | 406 | 597 | 540 | 470 | 37 | 16-φ29 | 1435 | 600 | 550 |
| | 18" | 450 | 432 | 635 | 578 | 533 | 40 | 16-φ32 | 1626 | 650 | 700 |
| 20" | 500 | 457 | 698 | 635 | 584 | 43 | 20-φ32 | 1829 | 650 | 910 | |
| 24" | 600 | 508 | 813 | 749.5 | 692 | 48 | 20-φ35 | 2175 | 700 | 1130 | |
| 28" | 700 | 610 | 984 | 914.5 | 857 | 75 | 28-φ35 | 2695 | 700 | 2230 | |

主要外形和连接尺寸 Main External and Connection Dimension

单位Unit:mm

| 产品型号 Type | 公称通径 DN | PN2.5MPa | | | | | | | | WT(kg) | |
|---|---|----------|-----|----------------|----------------|-----|--------|--------|------|--------|-----|
| | | L | D | D ₁ | D ₂ | b | Z-Φd | H | Do | | |
| Z44WF-25 Z44WY-25 KZ44WF-25 | 25 | 127 | 115 | 85 | 65 | 16 | 4-Φ14 | 280 | 200 | 9 | |
| | 32 | 140 | 135 | 100 | 78 | 18 | 4-Φ18 | 322 | 200 | 12 | |
| | 40 | 165 | 145 | 110 | 85 | 18 | 4-Φ18 | 380 | 250 | 16 | |
| | 50 | 178 | 160 | 125 | 100 | 20 | 4-Φ18 | 415 | 250 | 26 | |
| | 65 | 190 | 180 | 145 | 120 | 22 | 8-Φ18 | 470 | 300 | 38 | |
| | 80 | 203 | 195 | 160 | 135 | 22 | 8-Φ18 | 540 | 300 | 46 | |
| | Z544WF-25 Z544WY-25 KZ544WF-25 | 100 | 229 | 230 | 190 | 160 | 24 | 8-Φ23 | 605 | 350 | 62 |
| | | 125 | 325 | 270 | 220 | 188 | 28 | 8-Φ25 | 785 | 350 | 96 |
| | | 150 | 350 | 300 | 250 | 218 | 30 | 8-Φ25 | 925 | 350 | 132 |
| | Z6.44WF-25 Z6.44WY-25 KZ6.44WF-25 | 200 | 400 | 360 | 310 | 278 | 34 | 12-Φ25 | 1125 | 350 | 220 |
| 250 | | 450 | 425 | 370 | 332 | 36 | 12-Φ30 | 1350 | 450 | 355 | |
| Z9B44WF-25 Z9B44WY-25 KZ9B44WF-25 | | 300 | 500 | 485 | 430 | 390 | 40 | 16-Φ30 | 1485 | 500 | 490 |
| | 350 | 550 | 550 | 490 | 448 | 44 | 16-Φ34 | 1705 | 550 | 810 | |
| | 400 | 600 | 610 | 550 | 505 | 48 | 16-Φ34 | 1870 | 600 | 930 | |
| | 450 | 650 | 660 | 600 | 555 | 50 | 20-Φ34 | 2185 | 800 | 1230 | |
| Z9B44WF-25 Z9B44WY-25 KZ9B44WF-25 | 500 | 700 | 730 | 660 | 610 | 52 | 20-Φ41 | 2335 | 800 | 1727 | |
| | 600 | 800 | 840 | 770 | 718 | 56 | 20-Φ41 | 2680 | 1000 | 2514 | |



主要外形和连接尺寸 Main External and Connection Dimension

单位Unit:mm

| 产品型号 Type | 公称通径 DN | PN4.0MPa | | | | | | | | WT(kg) | |
|---|---|----------|-----|----------------|----------------|-----|--------|--------|------|--------|-----|
| | | L | D | D ₁ | D ₂ | b | Z-Φd | H | Do | | |
| Z44WF-40 Z44WY-40 KZ44WF-40 | 25 | 165 | 115 | 85 | 65 | 16 | 4-Φ14 | 280 | 200 | 9 | |
| | 32 | 178 | 135 | 100 | 78 | 18 | 4-Φ18 | 322 | 200 | 13 | |
| | 40 | 190 | 145 | 110 | 85 | 18 | 4-Φ18 | 380 | 250 | 17 | |
| | 50 | 216 | 160 | 125 | 100 | 20 | 4-Φ18 | 415 | 250 | 27 | |
| | 65 | 241 | 180 | 145 | 120 | 22 | 8-Φ18 | 470 | 300 | 40 | |
| | 80 | 285 | 195 | 160 | 135 | 22 | 8-Φ18 | 540 | 300 | 48 | |
| | Z544WF-40 Z544WY-40 KZ544WF-40 | 100 | 305 | 230 | 190 | 160 | 24 | 8-Φ23 | 605 | 350 | 65 |
| | | 125 | 381 | 270 | 220 | 188 | 28 | 8-Φ25 | 785 | 350 | 101 |
| | | 150 | 403 | 300 | 250 | 218 | 30 | 8-Φ25 | 925 | 350 | 139 |
| | Z6.44WF-40 Z6.44WY-40 KZ6.44WF-40 | 200 | 419 | 375 | 320 | 282 | 38 | 12-Φ30 | 1125 | 350 | 231 |
| 250 | | 457 | 445 | 385 | 345 | 42 | 12-Φ34 | 1350 | 450 | 373 | |
| Z9B44WF-40 Z9B44WY-40 KZ9B44WF-40 | | 300 | 502 | 510 | 450 | 408 | 46 | 16-Φ34 | 1485 | 500 | 515 |
| | 350 | 562 | 570 | 510 | 465 | 52 | 16-Φ34 | 1705 | 550 | 851 | |
| | 400 | 638 | 655 | 585 | 535 | 58 | 16-Φ41 | 1870 | 600 | 977 | |
| | 450 | 714 | 680 | 610 | 560 | 60 | 20-Φ41 | 2185 | 800 | 1292 | |
| | 500 | 791 | 755 | 670 | 612 | 62 | 20-Φ48 | 2335 | 800 | 1813 | |
| | 600 | 1143 | 890 | 795 | 730 | 62 | 20-Φ54 | 2680 | 1000 | 2640 | |

主要外形和连接尺寸 Main External and Connection Dimension

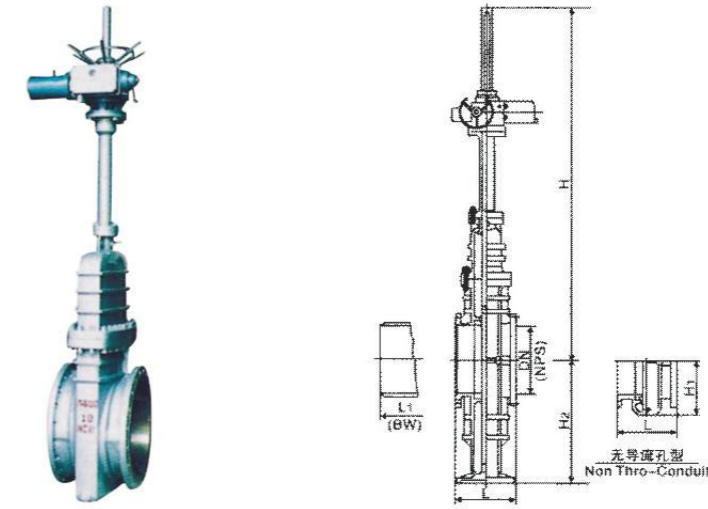
单位Unit:mm

| 产品型号 Type | 公称通径 DN | PN6.4MPa | | | | | | | | WT(kg) | |
|---|---|----------|-----|----------------|----------------|-----|--------|--------|------|--------|-----|
| | | L | D | D ₁ | D ₂ | b | Z-Φd | H | Do | | |
| Z44WF-64 Z44WY-64 KZ44WF-64 | 25 | 216 | 135 | 100 | 78 | 58 | 4-Φ18 | 314 | 200 | 10 | |
| | 32 | 229 | 150 | 110 | 82 | 66 | 4-Φ23 | 361 | 200 | 13 | |
| | 40 | 241 | 165 | 125 | 95 | 76 | 4-Φ23 | 426 | 250 | 18 | |
| | 50 | 250 | 175 | 135 | 105 | 88 | 4-Φ23 | 465 | 250 | 29 | |
| | 65 | 280 | 200 | 160 | 130 | 110 | 8-Φ23 | 526 | 300 | 42 | |
| | 80 | 310 | 210 | 170 | 140 | 121 | 8-Φ23 | 605 | 300 | 51 | |
| | Z544WF-64 Z544WY-64 KZ544WF-64 | 100 | 350 | 250 | 200 | 168 | 150 | 8-Φ25 | 678 | 350 | 69 |
| | | 125 | 400 | 295 | 240 | 202 | 176 | 8-Φ30 | 879 | 350 | 107 |
| | | 150 | 450 | 340 | 280 | 240 | 204 | 8-Φ34 | 1036 | 450 | 147 |
| | Z6.44WF-64 Z6.44WY-64 KZ6.44WF-64 | 200 | 550 | 405 | 345 | 300 | 260 | 12-Φ34 | 1260 | 450 | 244 |
| 250 | | 650 | 470 | 400 | 352 | 313 | 12-Φ41 | 1512 | 500 | 394 | |
| Z9B44WF-64 Z9B44WY-64 KZ9B44WF-64 | | 300 | 750 | 530 | 460 | 412 | 364 | 16-Φ41 | 1663 | 500 | 544 |
| | 350 | 850 | 595 | 525 | 475 | 422 | 16-Φ41 | 1910 | 600 | 899 | |
| | 400 | 950 | 670 | 585 | 525 | 474 | 16-Φ48 | 2094 | 800 | 1032 | |
| | 450 | 1050 | 670 | 630 | 570 | 524 | 20-Φ48 | 2447 | 800 | 1365 | |
| | 500 | 1150 | 800 | 705 | 640 | 576 | 20-Φ54 | 2615 | 1000 | 1917 | |
| | 600 | 1350 | 930 | 820 | 750 | 678 | 20-Φ58 | 3002 | 1000 | 2791 | |

主要外形和连接尺寸 Main External and Connection Dimension

单位Unit:mm

| 产品型号 Type | 公称通径 DN | PN1.6MPa | | | | | | | | | | WT(kg) | |
|-----------------------------|------------|----------|------|----------------|----------------|----|--------|------|----------------|----------------|-------------|--------|------|
| | | L | D | D ₁ | D ₂ | b | Z-Φd | H | H ₁ | H ₂ | 选配电装 E.A | 110 | 120 |
| Z9B43WF-16C Z9B43F-16C | 50 | 178 | 160 | 125 | 100 | 16 | 4-Φ18 | 620 | 80 | 122 | SMC-04 | 58 | 64 |
| | 65 | 190 | 180 | 145 | 120 | 18 | 4-Φ18 | 710 | 90 | 152 | SMC-04 | 78 | 87 |
| | 80 | 203 | 195 | 160 | 135 | 20 | 8-Φ18 | 785 | 100 | 178 | SMC-04 | 88 | 95 |
| | 100 | 229 | 215 | 180 | 155 | 20 | 8-Φ18 | 910 | 110 | 220 | SMC-04 | 100 | 107 |
| | 125 | 254 | 245 | 210 | 185 | 20 | 8-Φ18 | 1010 | 130 | 255 | SMC-03 | 145 | 155 |
| | 150 | 267 | 280 | 240 | 210 | 24 | 8-Φ23 | 1120 | 145 | 345 | SMC-03 | 160 | 172 |
| Z9B43WY-16C Z9B43Y-16C | 200 | 292 | 335 | 295 | 265 | 36 | 12-Φ23 | 1390 | 170 | 420 | SMC-00 | 220 | 235 |
| | 250 | 330 | 405 | 335 | 320 | 30 | 12-Φ25 | 1550 | 210 | 495 | SMC-00 | 330 | 353 |
| KZ9B43WF-16C KZ9B43F-16C | 300 | 356 | 460 | 410 | 375 | 30 | 12-Φ25 | 1740 | 240 | 600 | SMC-00 | 420 | 452 |
| | 350 | 381 | 520 | 470 | 435 | 34 | 16-Φ25 | 1915 | 265 | 640 | SMC-0 | 610 | 456 |
| Z9B47WF-16C Z9B47F-16C | 400 | 406 | 580 | 525 | 485 | 36 | 16-Φ30 | 2105 | 290 | 720 | SMC-0 | 720 | 775 |
| | 450 | 432 | 640 | 585 | 545 | 40 | 20-Φ30 | 2370 | 325 | 798 | SMC-0 | 1130 | 1200 |
| | 500 | 457 | 705 | 650 | 608 | 44 | 20-Φ34 | 2590 | 360 | 875 | SMC-1 | 1350 | 1450 |
| | 600 | 508 | 840 | 770 | 718 | 48 | 20-Φ41 | 2990 | 425 | 1170 | SMC-1 | 2030 | 2180 |
| | 700 | 610 | 910 | 840 | 788 | 50 | 24-Φ41 | 3390 | 455 | 1250 | SMC-2 | 3090 | 3330 |
| | 800 | 660 | 1020 | 950 | 989 | 52 | 24-Φ41 | 3850 | 505 | 1370 | SMC-2 | 3810 | 4110 |
| | 900 | 711 | 1120 | 1050 | 989 | 54 | 28-Φ41 | 4260 | 545 | 1500 | SMC-3 | 5160 | 5570 |
| | 1000 | 811 | 1255 | 1170 | 1110 | 56 | 28-Φ48 | 4680 | 610 | 1670 | SMC-3 | 6370 | 6880 |



主要外形和连接尺寸 Main External and Connection Dimension

单位Unit:mm

| 产品型号 Type | 公称通径 DN | PN2.5MPa | | | | | | | | | | WT(kg) | |
|---------------------------|------------|----------|------|----------------|----------------|----|--------|------|----------------|----------------|-------------|--------|------|
| | | L | D | D ₁ | D ₂ | b | Z-Φd | H | H ₁ | H ₂ | 选配电装 E.A | 110 | 120 |
| Z9B43WF-25 Z9B43F-25 | 50 | 178 | 160 | 125 | 100 | 20 | 4-Φ18 | 620 | 80 | 122 | SMC-04 | 63 | 67 |
| | 65 | 190 | 180 | 145 | 120 | 22 | 8-Φ18 | 710 | 90 | 152 | SMC-04 | 82 | 90 |
| | 80 | 203 | 195 | 160 | 135 | 22 | 8-Φ18 | 785 | 100 | 178 | SMC-04 | 91 | 98 |
| | 100 | 229 | 230 | 190 | 160 | 24 | 8-Φ23 | 910 | 110 | 220 | SMC-04 | 105 | 113 |
| | 125 | 254 | 280 | 220 | 188 | 28 | 8-Φ25 | 1010 | 130 | 255 | SMC-03 | 155 | 155 |
| | 150 | 267 | 300 | 250 | 218 | 30 | 8-Φ25 | 1120 | 145 | 345 | SMC-03 | 200 | 210 |
| Z9B43WY-25 Z9B43Y-25 | 200 | 292 | 360 | 310 | 278 | 34 | 12-Φ23 | 1390 | 170 | 420 | SMC-00 | 235 | 250 |
| | 250 | 330 | 425 | 370 | 332 | 36 | 12-Φ30 | 1550 | 210 | 495 | SMC-00 | 390 | 420 |
| KZ9B43WF-25 KZ9B43F-25 | 300 | 356 | 485 | 430 | 390 | 40 | 16-Φ30 | 1740 | 240 | 600 | SMC-00 | 480 | 510 |
| | 350 | 381 | 550 | 490 | 448 | 44 | 16-Φ34 | 1915 | 265 | 640 | SMC-0 | 635 | 680 |
| Z9B47WF-25 Z9B47F-25 | 400 | 406 | 610 | 550 | 505 | 48 | 16-Φ34 | 2105 | 290 | 720 | SMC-0 | 785 | 845 |
| | 450 | 432 | 660 | 600 | 555 | 50 | 20-Φ34 | 2370 | 325 | 798 | SMC-0 | 1160 | 1250 |
| | 500 | 457 | 730 | 660 | 610 | 52 | 20-Φ41 | 2590 | 360 | 875 | SMC-1 | 1460 | 1570 |
| | 600 | 508 | 840 | 770 | 718 | 56 | 20-Φ41 | 2990 | 425 | 1170 | SMC-2 | 2140 | 2300 |
| | 700 | 610 | 955 | 875 | 815 | 60 | 24-Φ48 | 3390 | 455 | 1250 | SMC-2 | 3610 | 3480 |
| | 800 | 660 | 1070 | 990 | 930 | 64 | 24-Φ48 | 3850 | 505 | 1370 | SMC-3 | 4320 | 4640 |
| | 900 | 711 | 1180 | 1090 | 1025 | 66 | 28-Φ54 | 4260 | 545 | 1500 | SMC-3 | 5620 | 6050 |
| | 1000 | 811 | 1305 | 1210 | 1140 | 68 | 28-Φ58 | 4680 | 610 | 1670 | SMC-3 | 6900 | 7430 |

主要外形和连接尺寸 Main External and Connection Dimension

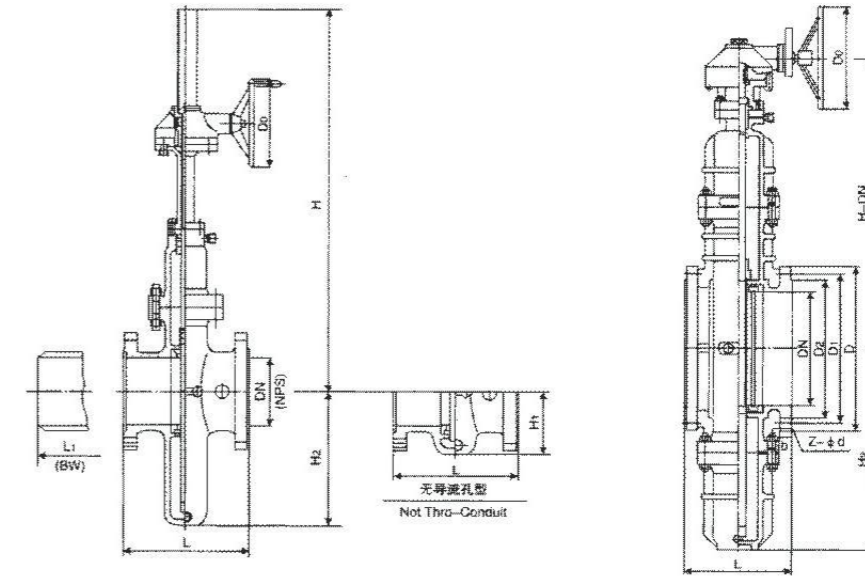
单位Unit:mm

| 产品型号 Type | 公称通径 DN | PN4.0MPa | | | | | | | | | | WT(kg) | |
|---------------------------|------------|----------|------|----------------|----------------|-----|--------|------|----------------|----------------|-------------|--------|------|
| | | L | D | D ₁ | D ₂ | b | Z-Φd | H | H ₁ | H ₂ | 选配电装 E.A | 110 | 120 |
| Z9B43WF-40 Z9B43F-40 | 50 | 216 | 160 | 125 | 100 | 88 | 4-Φ18 | 570 | 80 | 122 | SMC-04 | 70 | 79 |
| | 65 | 241 | 180 | 145 | 120 | 110 | 8-Φ18 | 680 | 90 | 152 | SMC-04 | 90 | 100 |
| | 80 | 283 | 195 | 160 | 135 | 121 | 8-Φ18 | 740 | 100 | 178 | SMC-04 | 105 | 112 |
| | 100 | 305 | 230 | 190 | 160 | 150 | 8-Φ23 | 910 | 110 | 220 | SMC-04 | 125 | 128 |
| | 125 | 381 | 270 | 220 | 188 | 176 | 8-Φ25 | 1010 | 130 | 255 | SMC-03 | 185 | 190 |
| | 150 | 403 | 300 | 250 | 218 | 204 | 8-Φ25 | 1110 | 145 | 345 | SMC-03 | 235 | 250 |
| Z9B43WY-40 Z9B43Y-40 | 200 | 419 | 375 | 320 | 282 | 260 | 12-Φ30 | 1390 | 170 | 420 | SMC-00 | 385 | 413 |
| | 250 | 457 | 445 | 385 | 345 | 313 | 12-Φ34 | 1550 | 210 | 495 | SMC-00 | 520 | 560 |
| KZ9B43WF-40 KZ9B43F-40 | 300 | 502 | 510 | 450 | 408 | 364 | 16-Φ34 | 1740 | 240 | 600 | SMC-0 | 770 | 825 |
| | 350 | 762 | 570 | 510 | 465 | 422 | 16-Φ34 | 1915 | 265 | 640 | SMC-0 | 1000 | 1040 |
| Z9B47WF-40 Z9B47F-40 | 400 | 838 | 655 | 585 | 535 | 474 | 16-Φ41 | 2105 | 290 | 720 | SMC-1 | 1450 | 1550 |
| | 450 | 914 | 680 | 610 | 560 | 524 | 20-Φ41 | 2370 | 325 | 798 | SMC-1 | 1700 | 1830 |
| | 500 | 991 | 755 | 670 | 612 | 576 | 20-Φ48 | 2590 | 360 | 875 | SMC-2 | 2160 | 2330 |
| | 600 | 1143 | 891 | 795 | 730 | 678 | 20-Φ54 | 2990 | 425 | 1170 | SMC-2 | 3540 | 3800 |
| | 700 | 1346 | 995 | 900 | 835 | 768 | 54-Φ54 | 3390 | 455 | 1250 | SMC-3 | 4170 | 4770 |
| | 800 | 1524 | 1135 | 1030 | 960 | 876 | 24-Φ58 | 3850 | 505 | 1370 | SMC-3 | 5580 | 6300 |
| | 900 | 1727 | 1172 | 1089 | 1032 | 976 | 32-Φ45 | 4750 | 545 | 1500 | SMC-4 | 6200 | 6500 |

主要外形和连接尺寸 Main External and Connection Dimension

单位Unit:mm

| 产品型号 Type | 公称通径 DN | PN1.6MPa | | | | | | | | | | WT(kg) | |
|---------------------------|------------|----------|------|----------------|----------------|--------|--------|------|----------------|----------------|------|--------|------|
| | | L | D | D ₁ | D ₂ | b | Z-Φd | H | H ₁ | H ₂ | Do | 110 | 112 |
| Z543WF-16C Z543F-16C | 100 | 229 | 215 | 180 | 155 | 20 | 8-Φ18 | 770 | 110 | 220 | BA-0 | 87 | 94 |
| | 125 | 354 | 245 | 210 | 185 | 22 | 8-Φ18 | 870 | 130 | 255 | BA-0 | 130 | 140 |
| | 150 | 367 | 280 | 240 | 210 | 24 | 8-Φ23 | 965 | 145 | 345 | BA-0 | 140 | 151 |
| | 200 | 292 | 335 | 295 | 265 | 26 | 12-Φ23 | 1200 | 170 | 420 | BA-0 | 175 | 200 |
| | 250 | 330 | 405 | 355 | 320 | 30 | 12-Φ25 | 1360 | 210 | 495 | BA-0 | 275 | 300 |
| Z543WY-16C Z543Y-16C | 300 | 356 | 460 | 410 | 375 | 30 | 12-Φ25 | 1560 | 240 | 600 | BA-1 | 350 | 380 |
| | 350 | 381 | 520 | 470 | 435 | 34 | 16-Φ25 | 1740 | 265 | 640 | BA-1 | 510 | 550 |
| KZ543WF-16C KZ543F-16C | 400 | 406 | 580 | 525 | 485 | 36 | 16-Φ30 | 1930 | 290 | 720 | BA-1 | 610 | 660 |
| | 450 | 432 | 640 | 585 | 545 | 40 | 20-Φ30 | 2160 | 325 | 798 | BA-1 | 830 | 900 |
| Z547WF-16C Z547F-16C | 500 | 457 | 705 | 650 | 608 | 44 | 20-Φ34 | 2420 | 360 | 875 | BA-2 | 1150 | 1240 |
| | 600 | 508 | 840 | 770 | 718 | 48 | 20-Φ41 | 2800 | 425 | 1170 | BA-2 | 1780 | 1922 |
| | 700 | 610 | 910 | 840 | 788 | 50 | 24-Φ41 | 3200 | 455 | 1250 | BA-2 | 2350 | 2530 |
| | 800 | 660 | 1020 | 950 | 898 | 52 | 24-Φ41 | 3640 | 505 | 1370 | BA-3 | 3380 | 3650 |
| | 900 | 711 | 1120 | 1050 | 998 | 54 | 28-Φ41 | 4050 | 545 | 1500 | BA-3 | 4460 | 4820 |
| 1000 | 811 | 1255 | 1170 | 1110 | 56 | 28-Φ48 | 4470 | 610 | 1670 | BA-3 | 5740 | 6200 | |



主要外形和连接尺寸 Main External and Connection Dimension

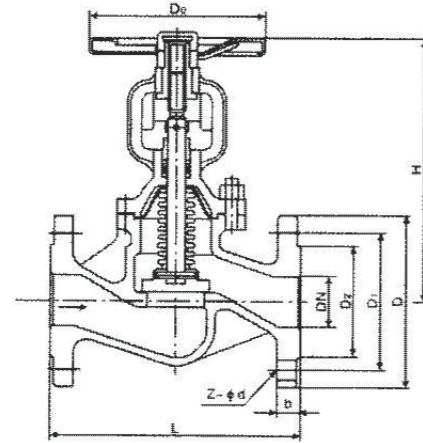
单位Unit:mm

| 产品型号 Type | 公称通径 DN | PN2.5MPa | | | | | | | | | | WT(kg) | |
|-------------------------|------------|----------|------|----------------|----------------|--------|--------|------|----------------|----------------|------|--------|------|
| | | L | D | D ₁ | D ₂ | b | Z-Φd | H | H ₁ | H ₂ | Do | 110 | 112 |
| Z543WF-25 Z543F-25 | 100 | 229 | 230 | 190 | 160 | 24 | 8-Φ23 | 770 | 110 | 220 | BA-0 | 95 | 103 |
| | 125 | 354 | 270 | 220 | 188 | 28 | 8-Φ25 | 870 | 130 | 255 | BA-0 | 145 | 156 |
| | 150 | 367 | 300 | 250 | 218 | 30 | 8-Φ25 | 965 | 145 | 345 | BA-0 | 163 | 176 |
| | 200 | 292 | 360 | 310 | 278 | 34 | 12-Φ25 | 1200 | 170 | 420 | BA-0 | 200 | 216 |
| | 250 | 330 | 425 | 370 | 332 | 36 | 12-Φ30 | 1360 | 210 | 495 | BA-0 | 330 | 360 |
| Z543WY-25 Z543Y-25 | 300 | 356 | 485 | 430 | 390 | 40 | 16-Φ30 | 1560 | 240 | 600 | BA-1 | 420 | 450 |
| | 350 | 381 | 550 | 490 | 448 | 44 | 16-Φ34 | 1740 | 265 | 640 | BA-1 | 575 | 620 |
| KZ543WF-25 KZ543F-25 | 400 | 406 | 610 | 550 | 505 | 48 | 16-Φ34 | 1930 | 290 | 720 | BA-1 | 735 | 795 |
| | 450 | 432 | 660 | 600 | 555 | 50 | 20-Φ34 | 2160 | 325 | 798 | BA-1 | 1110 | 1200 |
| Z547WF-25 Z547F-25 | 500 | 457 | 730 | 660 | 610 | 52 | 20-Φ41 | 2420 | 360 | 875 | BA-2 | 1380 | 1490 |
| | 600 | 508 | 840 | 770 | 718 | 56 | 20-Φ41 | 2800 | 425 | 1170 | BA-2 | 2030 | 2192 |
| | 700 | 610 | 955 | 875 | 815 | 60 | 24-Φ48 | 3200 | 455 | 1250 | BA-2 | 3210 | 3500 |
| | 800 | 660 | 1070 | 990 | 930 | 64 | 24-Φ48 | 3640 | 505 | 1370 | BA-3 | 4020 | 4340 |
| | 900 | 711 | 1180 | 1090 | 1025 | 66 | 24-Φ54 | 4050 | 545 | 1500 | BA-3 | 5320 | 5750 |
| 1000 | 811 | 1305 | 1210 | 1140 | 68 | 28-Φ58 | 4470 | 610 | 1670 | BA-3 | 6600 | 7130 | |

主要外形和连接尺寸 Main External and Connection Dimension

单位Unit:mm

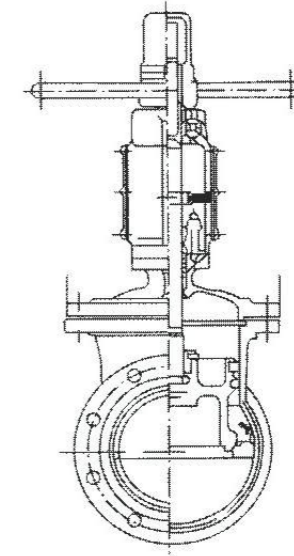
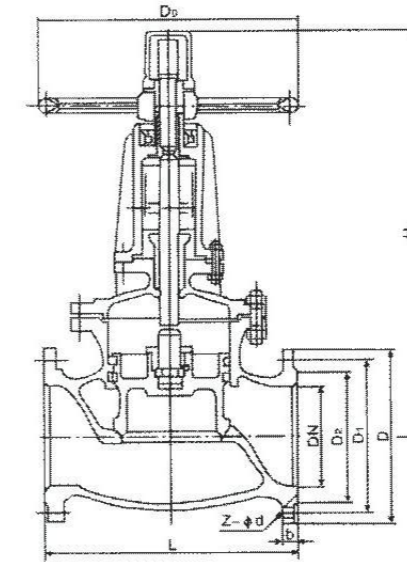
| 产品型号 Type | 公称通径 DN | PN4.0MPa | | | | | | | | | | WT(kg) | |
|-------------------------|------------|----------|------|----------------|----------------|----|--------|------|----------------|----------------|------|--------|------|
| | | L | D | D ₁ | D ₂ | b | Z-Φd | H | H ₁ | H ₂ | Do | 110 | 112 |
| Z543WF-40 Z543F-40 | 100 | 305 | 230 | 190 | 160 | 24 | 8-Φ23 | 770 | 110 | 220 | BA-0 | 110 | 118 |
| | 125 | 381 | 270 | 220 | 188 | 28 | 8-Φ25 | 870 | 130 | 255 | BA-0 | 170 | 181 |
| | 150 | 403 | 300 | 250 | 218 | 30 | 8-Φ25 | 970 | 145 | 345 | BA-0 | 200 | 215 |
| | 200 | 419 | 375 | 320 | 282 | 38 | 12-Φ30 | 1200 | 170 | 420 | BA-0 | 350 | 380 |
| | 250 | 457 | 445 | 385 | 345 | 42 | 12-Φ34 | 1370 | 210 | 495 | BA-0 | 460 | 500 |
| Z543WY-40 Z543Y-40 | 300 | 502 | 510 | 450 | 408 | 46 | 16-Φ34 | 1560 | 240 | 600 | BA-1 | 670 | 725 |
| | 350 | 762 | 570 | 510 | 465 | 52 | 16-Φ34 | 1740 | 265 | 640 | BA-1 | 870 | 940 |
| KZ543WF-40 KZ543F-40 | 400 | 838 | 655 | 585 | 535 | 58 | 16-Φ41 | 1970 | 290 | 720 | BA-1 | 1390 | 1500 |
| | 450 | 914 | 680 | 610 | 560 | 60 | 20-Φ41 | 2260 | 325 | 798 | BA-1 | 1662 | 1750 |
| Z547WF-40 Z547F-40 | 500 | 991 | 755 | 670 | 612 | 62 | 20-Φ48 | 2420 | 360 | 875 | BA-2 | 2337 | 2515 |
| | 600 | 1143 | 890 | 795 | 730 | 62 | 20-Φ54 | 2800 | 425 | 1170 | BA-2 | 3940 | 4290 |
| | 700 | 1346 | 995 | 900 | 835 | 68 | 24-Φ54 | 3230 | 455 | 1250 | BA-2 | 4140 | 4470 |
| | 800 | 1524 | 1135 | 1030 | 960 | 76 | 24-Φ58 | 3640 | 505 | 1370 | BA-3 | 5550 | 6000 |
| | 900 | 1727 | 1172 | 1089 | 1032 | 85 | 32-Φ45 | 4050 | 545 | 1500 | BA-3 | 6100 | 6610 |



主要外形和连接尺寸 Main External and Connection Dimension

单位Unit:mm

| 产品型号 Type | 公称通径 DN | PN1.6/2.5/4.0MPa | | | | | | | | WT (kg) |
|--------------------------------|------------|------------------|-----|----------------|----------------|-------|-------|-----|-----|------------|
| | | L | D | D ₁ | D ₂ | b | Z-φd | H | Do | |
| DNI/WJ41H-16C DNI/WJ41W-16P | 15 | 130 | 95 | 65 | 45 | 16 | 4-φ14 | 191 | 120 | 5 |
| | 20 | 150 | 105 | 75 | 58 | 18 | 4-φ14 | 191 | 140 | 7 |
| | 25 | 160 | 115 | 85 | 68 | 18 | 4-φ14 | 197 | 140 | 9 |
| | 32 | 180 | 140 | 100 | 78 | 18 | 4-φ18 | 200 | 160 | 12 |
| | 40 | 200 | 150 | 110 | 88 | 18 | 4-φ18 | 218 | 200 | 16 |
| | 50 | 230 | 165 | 125 | 102 | 20 | 4-φ18 | 220 | 200 | 19 |
| | 65 | 290 | 185 | 145 | 122 | 18 | 4-φ18 | 238 | 240 | 23 |
| | 80 | 310 | 200 | 160 | 138 | 20 | 8-φ18 | 257 | 240 | 30 |
| | 100 | 350 | 220 | 180 | 158 | 20 | 8-φ18 | 340 | 320 | 42 |
| | 125 | 400 | 250 | 210 | 188 | 22 | 8-φ18 | 360 | 360 | 63 |
| DNI/WJ41H-25 DNI/WJ41W-25P | 15 | 130 | 95 | 65 | 45 | 16 | 4-φ14 | 191 | 120 | 5 |
| | 20 | 150 | 105 | 75 | 58 | 18 | 4-φ14 | 191 | 160 | 7 |
| | 25 | 160 | 115 | 85 | 68 | 18 | 4-φ14 | 197 | 160 | 9 |
| | 32 | 180 | 140 | 100 | 78 | 18 | 4-φ18 | 200 | 160 | 12 |
| | 40 | 200 | 150 | 110 | 88 | 18 | 4-φ18 | 218 | 200 | 19 |
| | 50 | 230 | 165 | 125 | 102 | 20 | 4-φ18 | 220 | 200 | 24 |
| | 65 | 290 | 185 | 145 | 122 | 22 | 8-φ18 | 238 | 280 | 33 |
| | 80 | 310 | 200 | 160 | 138 | 24 | 8-φ18 | 257 | 280 | 44 |
| | 100 | 350 | 235 | 220 | 162 | 24 | 8-φ22 | 340 | 320 | 60 |
| | 125 | 400 | 270 | 250 | 188 | 26 | 8-φ26 | 360 | 360 | 72 |
| DNI/WJ41H-40 DNI/WJ41W-40P | 15 | 130 | 95 | 65 | 45 | 16 | 4-φ14 | 191 | 120 | 5 |
| | 20 | 150 | 105 | 75 | 58 | 18 | 4-φ14 | 191 | 160 | 7 |
| | 25 | 160 | 115 | 85 | 68 | 18 | 4-φ14 | 197 | 160 | 9 |
| | 32 | 180 | 140 | 100 | 78 | 18 | 4-φ18 | 200 | 160 | 12 |
| | 40 | 200 | 150 | 110 | 88 | 18 | 4-φ18 | 218 | 200 | 16 |
| | 50 | 230 | 165 | 125 | 102 | 20 | 4-φ18 | 220 | 200 | 23 |
| | 65 | 290 | 185 | 145 | 122 | 22 | 8-φ18 | 238 | 280 | 33 |
| | 80 | 310 | 200 | 160 | 138 | 24 | 8-φ18 | 257 | 280 | 43 |
| | 100 | 350 | 235 | 220 | 162 | 24 | 8-φ22 | 340 | 320 | 69 |
| | 125 | 400 | 270 | 250 | 188 | 26 | 8-φ26 | 360 | 360 | 98 |
| 150 | 480 | 300 | 295 | 218 | 28 | 8-φ26 | 390 | 360 | 170 | |



主要外形和连接尺寸 Main External and Connection Dimension

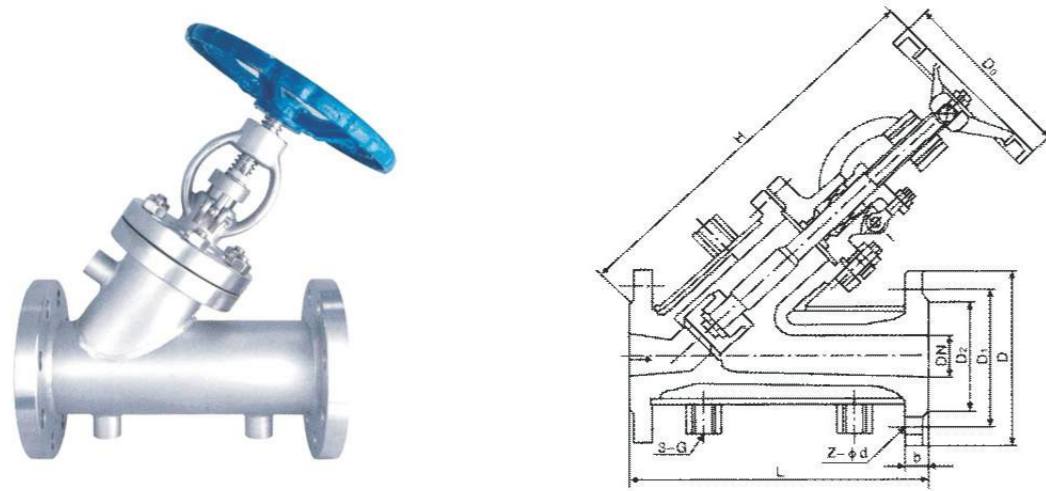
单位Unit:mm

| 产品型号 Type | 公称通径 DN | PN2.5MPa | | | | | | | | WT (kg) |
|--------------|------------|----------|-----|----------------|----------------|----|--------|------|-----|------------|
| | | L | D | D ₁ | D ₂ | b | Z-φd | H | Do | |
| J46W-25P | 250 | 730 | 425 | 370 | 332 | 36 | 12-φ30 | 900 | 560 | 370 |
| | 300 | 850 | 485 | 430 | 390 | 40 | 16-φ34 | 1052 | 720 | 540 |
| | 400 | 1100 | 610 | 550 | 505 | 48 | 16-φ34 | 1168 | 800 | 872 |

主要外形和连接尺寸 Main External and Connection Dimension

单位Unit:mm

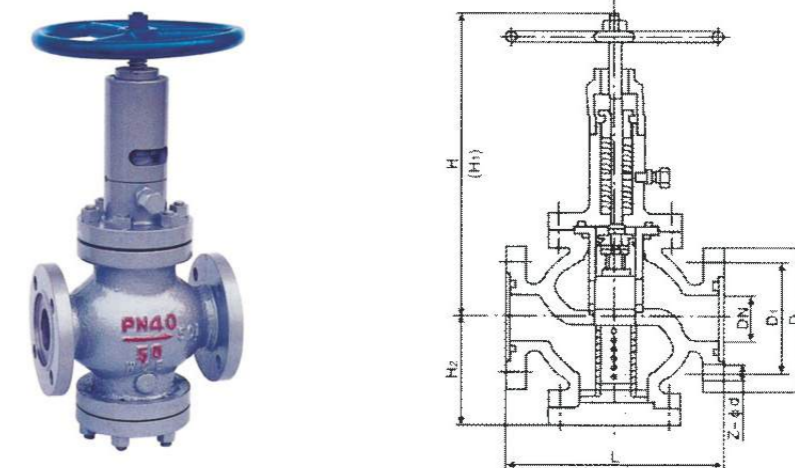
| 产品型号 Type | 公称通径 DN | PN4.0MPa | | | | | | | | WT (kg) |
|--------------|------------|----------|-----|----------------|----------------|-----|--------|------|-----|------------|
| | | L | D | D ₁ | D ₂ | b | Z-φd | H | Do | |
| J46W-40P | 250 | 730 | 445 | 385 | 345 | 313 | 12-φ34 | 900 | 560 | 431 |
| | 300 | 850 | 510 | 450 | 400 | 364 | 16-φ34 | 1052 | 720 | 626 |
| | 400 | 1100 | 655 | 585 | 535 | 474 | 16-φ41 | 1168 | 800 | 980 |



主要外形和连接尺寸 Main External and Connection Dimension

单位Unit:mm

| 产品型号 Type | 公称通径 DN | PN2.5/4.0MPa | | | | | | | G | H | Do | WT (kg) |
|--|------------|--------------|-----|----------------|----------------|----------------|----|--------|------|-----|-----|------------|
| | | L | D | D ₁ | D ₂ | D ₆ | b | Z-φd | | | | |
| BJ45H-25 BJ45Y-25P BJ45Y-25R BJ45Y-25R3 | 15 | 200 | 105 | 75 | 55 | - | 16 | 4-φ14 | 1/2" | 210 | 120 | 15 |
| | 20 | 220 | 115 | 85 | 65 | - | 16 | 4-φ14 | 1/2" | 240 | 140 | 21 |
| | 25 | 220 | 135 | 100 | 78 | - | 18 | 4-φ18 | 1/2" | 250 | 160 | 25 |
| | 32 | 250 | 145 | 110 | 85 | - | 18 | 4-φ18 | 1/2" | 270 | 160 | 30 |
| | 40 | 270 | 160 | 125 | 100 | - | 20 | 4-φ18 | 1/2" | 310 | 160 | 36 |
| | 50 | 300 | 180 | 145 | 120 | - | 22 | 8-φ18 | 1/2" | 330 | 240 | 40 |
| | 65 | 350 | 195 | 160 | 135 | - | 22 | 8-φ18 | 3/4" | 360 | 240 | 54 |
| | 80 | 380 | 230 | 190 | 160 | - | 24 | 8-φ23 | 3/4" | 400 | 280 | 70 |
| | 100 | 430 | 270 | 220 | 188 | - | 28 | 8-φ25 | 3/4" | 480 | 320 | 100 |
| | 125 | 490 | 300 | 250 | 218 | - | 30 | 8-φ25 | 1" | 550 | 360 | 130 |
| BJ45H-40 BJ45Y-40P BJ45Y-40R BJ45Y-40R3 | 15 | 200 | 105 | 75 | 55 | 51 | 16 | 4-φ14 | 1/2" | 210 | 120 | 18 |
| | 20 | 220 | 115 | 85 | 65 | 58 | 16 | 4-φ14 | 1/2" | 240 | 140 | 21 |
| | 25 | 220 | 135 | 100 | 78 | 66 | 18 | 4-φ18 | 1/2" | 250 | 160 | 25 |
| | 32 | 250 | 145 | 110 | 85 | 76 | 18 | 4-φ18 | 1/2" | 270 | 160 | 33 |
| | 40 | 270 | 160 | 125 | 100 | 88 | 20 | 4-φ18 | 1/2" | 310 | 160 | 41 |
| | 50 | 300 | 180 | 145 | 120 | 110 | 22 | 8-φ18 | 1/2" | 330 | 240 | 45 |
| | 65 | 350 | 195 | 160 | 135 | 121 | 22 | 8-φ18 | 3/4" | 360 | 240 | 62 |
| | 80 | 380 | 230 | 190 | 160 | 150 | 24 | 8-φ23 | 3/4" | 400 | 280 | 80 |
| | 100 | 430 | 270 | 220 | 188 | 176 | 28 | 8-φ25 | 3/4" | 480 | 320 | 100 |
| | 125 | 490 | 300 | 250 | 218 | 204 | 30 | 8-φ25 | 1" | 550 | 360 | 130 |
| | 150 | 570 | 350 | 295 | 258 | 234 | 34 | 12-φ30 | 1" | 620 | 360 | 185 |
| | 200 | 690 | 415 | 355 | 315 | 287 | 40 | 12-φ34 | 1" | 750 | 400 | 268 |



主要外形和连接尺寸 Main External and Connection Dimension

单位Unit:mm

| 产品型号 Type | 公称通径 DN | PN2.5MPa | | | | | | | WT (kg) |
|----------------------|------------|----------|-----|----------------|-----|----------------|----------------|-------|------------|
| | | L | D | D ₁ | H | H ₁ | H ₂ | Z-φd | |
| FJ41-25 KFJ41Y-25 | 50 | 230 | 160 | 125 | 350 | 400 | 112 | 4-φ18 | 23 |
| | 65 | 290 | 180 | 145 | 360 | 420 | 132 | 8-φ18 | 30 |
| | 80 | 310 | 195 | 160 | 410 | 480 | 145 | 8-φ18 | 46 |
| | 100 | 350 | 230 | 190 | 435 | 500 | 165 | 8-φ23 | 61 |
| | 125 | 400 | 270 | 220 | 485 | 545 | 213 | 8-φ25 | 81 |
| | 150 | 480 | 300 | 250 | 525 | 615 | 225 | 8-φ25 | 100 |
| 200 | 600 | 360 | 310 | 598 | 725 | 295 | 12-φ25 | 171 | |

主要外形和连接尺寸 Main External and Connection Dimension

单位Unit:mm

| 产品型号 Type | 公称通径 DN | PN2.5MPa | | | | | | | WT (kg) |
|----------------------|------------|----------|-----|----------------|-----|----------------|----------------|--------|------------|
| | | L | D | D ₁ | H | H ₁ | H ₂ | Z-φd | |
| FJ41-40 KFJ41Y-40 | 50 | 230 | 160 | 125 | 400 | 350 | 112 | 4-φ18 | 26 |
| | 65 | 290 | 180 | 145 | 420 | 360 | 132 | 8-φ18 | 36 |
| | 80 | 310 | 195 | 160 | 480 | 410 | 145 | 8-φ18 | 51 |
| | 100 | 350 | 230 | 190 | 500 | 435 | 165 | 8-φ23 | 66 |
| | 125 | 400 | 270 | 220 | 545 | 485 | 213 | 8-φ25 | 86 |
| | 150 | 480 | 300 | 250 | 615 | 525 | 225 | 8-φ25 | 106 |
| | 200 | 600 | 375 | 320 | 725 | 598 | 295 | 12-φ30 | 176 |

主要外形和连接尺寸 Main External and Connection Dimension

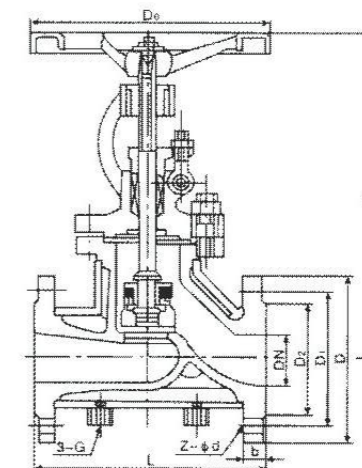
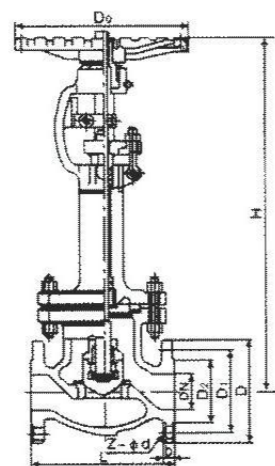
单位Unit:mm

| 产品型号 Type | 公称通径 DN | PN2.5MPa | | | | | | | WT (kg) |
|----------------------|------------|----------|-----|----------------|-----|----------------|----------------|-------|------------|
| | | L | D | D ₁ | H | H ₁ | H ₂ | Z-φd | |
| FJ41-40 KFJ41Y-40 | 50 | 230 | 175 | 135 | 400 | 350 | 112 | 4-φ23 | 31 |
| | 65 | 290 | 200 | 160 | 420 | 360 | 132 | 8-φ23 | 41 |
| | 80 | 310 | 210 | 170 | 480 | 410 | 145 | 8-φ23 | 76 |
| | 100 | 350 | 250 | 200 | 500 | 435 | 165 | 8-φ25 | 97 |

主要外形和连接尺寸 Main External and Connection Dimension

单位Unit:mm

| 产品型号 Type | 公称通径 DN | PN2.5MPa | | | | | | | WT (kg) |
|------------------------|------------|----------|-----|----------------|-----|----------------|----------------|------|------------|
| | | L | D | D ₁ | H | H ₁ | H ₂ | Z-φd | |
| FJ41-100 KFJ41Y-100 | 50 | 300 | 195 | 145 | 405 | 355 | 117 | 4-25 | 31 |
| | 65 | 340 | 220 | 170 | 425 | 370 | 137 | 8-25 | 75 |
| | 80 | 380 | 230 | 180 | 485 | 415 | 149 | 8-25 | 116 |
| | 100 | 430 | 265 | 210 | 505 | 440 | 168 | 8-30 | 137 |



主要外形和连接尺寸 Main External and Connection Dimension

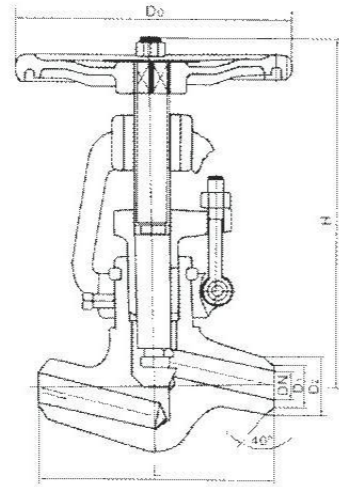
单位Unit:mm

| 产品型号 Type | 公称通径 DN | PN1.6/2.5/4.0MPa | | | | | | H | | | Do | WT(kg) |
|--|------------|------------------|-----|----------------|----------------|-----|--------|------|-------|-------|-----|--------|
| | | L | D | D ₁ | D ₂ | b | Z-φd | -46℃ | -101℃ | -196℃ | | |
| J41Y-16C J41Y-16P J41Y-16R | 50 | 230 | 160 | 125 | 100 | 16 | 4-φ8 | 460 | 480 | 520 | 240 | 15 |
| | 65 | 290 | 180 | 145 | 120 | 18 | 4-φ18 | 475 | 505 | 525 | 280 | 23 |
| | 80 | 310 | 195 | 160 | 135 | 20 | 8-φ18 | 520 | 550 | 590 | 280 | 28 |
| J641Y-16C J641Y-16P J641Y-16R | 100 | 350 | 215 | 180 | 155 | 20 | 8-φ18 | 545 | 575 | 615 | 320 | 32 |
| | 125 | 400 | 245 | 210 | 185 | 22 | 8-φ18 | 590 | 620 | 660 | 360 | 88 |
| | 150 | 480 | 280 | 240 | 210 | 24 | 8-φ23 | 650 | 680 | 730 | 400 | 96 |
| J9B41Y-16C J9B41Y-16P J9B41Y-16R | 200 | 600 | 335 | 295 | 265 | 26 | 12-φ23 | 850 | 880 | 930 | 400 | 155 |
| | 250 | 730 | 405 | 355 | 320 | 30 | 12-φ25 | 956 | 986 | 1036 | 450 | 425 |
| | 300 | 850 | 460 | 410 | 375 | 30 | 12-φ25 | 1095 | 1125 | 1175 | 500 | 641 |
| J41Y-25 J41Y-25P J41Y-25R | 50 | 230 | 160 | 125 | 100 | 20 | 4-φ18 | 460 | 480 | 520 | 240 | 16 |
| | 65 | 290 | 180 | 145 | 120 | 22 | 8-φ18 | 475 | 505 | 525 | 280 | 23 |
| | 80 | 310 | 195 | 160 | 135 | 22 | 8-φ18 | 520 | 550 | 590 | 280 | 29 |
| J641Y-25 J641Y-25P J641Y-25R | 100 | 350 | 230 | 190 | 160 | 24 | 8-φ23 | 545 | 575 | 615 | 320 | 32 |
| | 125 | 400 | 270 | 220 | 188 | 28 | 8-φ25 | 590 | 620 | 660 | 360 | 90 |
| | 150 | 480 | 300 | 250 | 218 | 30 | 8-φ25 | 650 | 680 | 730 | 400 | 98 |
| J9B41Y-25 J9B41Y-25P J9B41Y-25R | 200 | 600 | 360 | 310 | 278 | 34 | 12-φ25 | 850 | 880 | 930 | 400 | 159 |
| | 250 | 730 | 425 | 370 | 332 | 36 | 12-φ30 | 956 | 986 | 1036 | 450 | 436 |
| | 300 | 850 | 485 | 430 | 390 | 40 | 16-φ30 | 1095 | 1125 | 1175 | 500 | 657 |
| J41Y-40 J41Y-40P J41Y-40R | 50 | 230 | 160 | 125 | 100 | 88 | 20 | 483 | 504 | 546 | 240 | 16 |
| | 65 | 290 | 180 | 145 | 120 | 110 | 22 | 499 | 530 | 551 | 280 | 24 |
| | 80 | 310 | 195 | 160 | 135 | 121 | 22 | 546 | 578 | 620 | 280 | 30 |
| J641SY-40 J641SY-40P J641SY-40R | 100 | 350 | 230 | 190 | 160 | 150 | 24 | 572 | 604 | 646 | 320 | 33 |
| | 125 | 400 | 270 | 220 | 188 | 176 | 28 | 620 | 651 | 693 | 360 | 93 |
| | 150 | 480 | 300 | 250 | 218 | 204 | 30 | 683 | 741 | 767 | 400 | 100 |
| J9B41Y-40 J9B41Y-40P J9B41Y-40R | 200 | 600 | 360 | 320 | 282 | 260 | 38 | 893 | 924 | 977 | 400 | 163 |
| | 250 | 730 | 425 | 385 | 345 | 313 | 42 | 1004 | 1035 | 1088 | 450 | 447 |
| | 300 | 850 | 485 | 450 | 408 | 364 | 48 | 1150 | 1181 | 1234 | 500 | 673 |

主要外形和连接尺寸 Main External and Connection Dimension

单位Unit:mm

| 产品型号 Type | PN1.6MPa | | | | | PN2.5MPa | | | | | PN4.0MPa | | | | |
|-------------------------------------|----------|-----|------|-----|--------|----------|-----|------|-----|--------|----------|-----|------|-----|--------|
| | DN | L | H | Do | WT(kg) | DN | L | H | Do | WT(kg) | DN | L | H | Do | WT(kg) |
| BJ41W-16C BJ41W-16P BJ41W-16R | 15 | 130 | 175 | 180 | 4 | 15 | 130 | 175 | 180 | 4 | 15 | 130 | 175 | 180 | 4 |
| | 20 | 150 | 180 | 180 | 5 | 20 | 150 | 180 | 180 | 5 | 20 | 150 | 180 | 180 | 5 |
| | 25 | 160 | 210 | 200 | 6 | 25 | 160 | 210 | 200 | 6 | 25 | 160 | 210 | 200 | 6 |
| | 32 | 180 | 210 | 200 | 7 | 32 | 180 | 210 | 200 | 7 | 32 | 180 | 210 | 200 | 7 |
| | 40 | 200 | 350 | 200 | 18 | 40 | 200 | 350 | 200 | 18 | 40 | 200 | 350 | 200 | 18 |
| | 50 | 250 | 358 | 240 | 29 | 50 | 250 | 358 | 240 | 29 | 50 | 250 | 358 | 240 | 29 |
| | 65 | 265 | 373 | 240 | 33 | 65 | 265 | 373 | 240 | 33 | 65 | 280 | 373 | 240 | 33 |
| | 80 | 280 | 435 | 280 | 46 | 80 | 280 | 435 | 280 | 46 | 80 | 310 | 435 | 280 | 46 |
| | 100 | 300 | 500 | 320 | 63 | 100 | 300 | 500 | 320 | 64 | 100 | 350 | 500 | 320 | 64 |
| | 125 | 325 | 614 | 360 | 108 | 125 | 325 | 614 | 360 | 105 | 125 | 400 | 614 | 360 | 105 |
| BJ41W-25 BJ41W-25P BJ41W-25R | 150 | 350 | 674 | 360 | 134 | 150 | 350 | 674 | 360 | 142 | 150 | 450 | 674 | 360 | 142 |
| | 200 | 400 | 818 | 400 | 192 | 200 | 400 | 818 | 400 | 213 | 200 | 550 | 718 | 400 | 213 |
| | 250 | 450 | 1225 | 450 | 228 | 250 | 450 | 1225 | 450 | 290 | 250 | 650 | 1225 | 450 | 374 |
| | 300 | 500 | 1415 | 500 | 300 | 300 | 500 | 1415 | 500 | 324 | 300 | 750 | 1415 | 500 | 550 |
| | 350 | 550 | 1630 | 500 | 388 | 350 | 550 | 1630 | 500 | 423 | 350 | 850 | 1630 | 500 | 890 |
| | 400 | 600 | 1780 | 600 | 566 | 400 | 600 | 1780 | 600 | 566 | 400 | 900 | 1880 | 600 | 1235 |
| | 450 | 650 | 2050 | 720 | 900 | 450 | 650 | 2050 | 720 | 900 | - | - | - | - | - |
| | 500 | 700 | 2181 | 720 | 958 | 500 | 700 | 2181 | 720 | 958 | - | - | - | - | - |
| | 600 | 800 | 2599 | 720 | 1410 | 600 | 800 | 2599 | 720 | 1410 | - | - | - | - | - |



产品执行标准 Production enforce standard

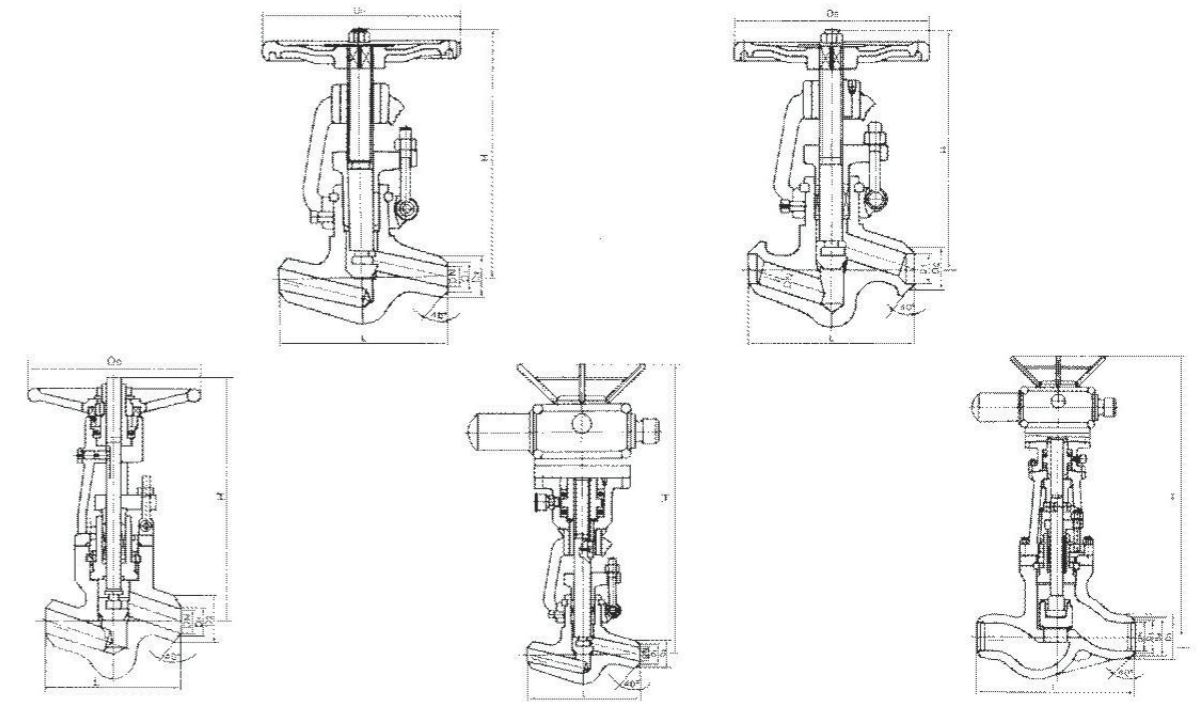
| 产品规范 Product Specification | 设计规范 Design Spec. | 结构长度 Face to Face | 连接法兰 Flange Dnd | 试验与检验 Test & Check | 压力-温度 Pressure-Temp | 产品标识 Marking | 供货规范 Supply |
|----------------------------------|----------------------|----------------------|--------------------|-----------------------|------------------------|-----------------|----------------|
| | JB/T3595/E101 | E101 | 78DG | E101 | JB/T3595 | GB/T12220 | E101 |

产品性能规范 Chief property and specification

| 产品型号 Product type | 试验压力 PN(MPa) Nominal pressure | 试验压力(MPa) Test pressure | | 工作压力(MPa) Working pressure | | | 工作温度(°C) Working temperature | 适用介质 Applicable medium |
|----------------------|-------------------------------------|-----------------------------|---------------|-------------------------------|-----|-----|---------------------------------|------------------------------|
| | | 壳体强度 Shell strength test | 密封 Sealing | P54 | P55 | P57 | | |
| J61Y-100 | 10 | 15 | 11 | / | / | / | ≤450 | 水、油品、蒸气 Water, Oil, Steam |
| J61Y-200 | 20 | 30 | 22 | / | / | / | | |
| J61Y-250 | 25 | 38 | 28 | / | / | / | | |
| J61Y-320 | 32 | 48 | 36 | / | / | / | | |
| J61Y-P54/100V | / | 30 | 22 | 10 | / | / | ≤540 | 蒸气 Steam |
| J61Y-P54/140V | / | 38 | 28 | 14 | / | / | | |
| J61Y-P54/170V | / | 48 | 36 | 17 | / | / | | |
| J61Y-P54/100V | / | 38 | 28 | / | 10 | / | ≤555 | |
| J61Y-P54/140V | / | 48 | 36 | / | 14 | / | | |
| J61Y-P54/170V | / | 53 | 39 | / | 17 | / | | |
| J61Y-P54/100V | / | 48 | 36 | / | / | 10 | ≤570 | |
| J61Y-P54/140V | / | 55 | 40 | / | / | 14 | | |
| J61Y-P54/170V | / | 60 | 44 | / | / | 17 | | |

主要零部件材料 Main Part Material

| 零件名称 Part name | 零部件材料 Part Material | | |
|----------------------|--|-----------------|------------------|
| 阀体 Body | WCB | WC6 | WC9 |
| 阀盖 Bonnet | 25 | 12Cr1Mo1VA | |
| 阀板 Wedge | 25 | 20Cr1Mo1VA | 20Cr1Mo1VA |
| 阀杆 Stem | 1Cr17Ni2 | 20Cr1Mo1VA | |
| 阀座 Seat | 25 | 12Cr1Mo1VA | |
| 密封副 Hard Trim | STL+STL | STL+STL | STL+STL |
| 填料 Paking | | | |
| 垫片 Gasket | S软钢/柔性石墨 S soft-Iron/Flexibel Graphite | S软钢 S Soft-Iron | F软钢 F Soft-Iron |
| 适用温度 Suitable Temp | -29~425°C | | -29~425°C |
| 适用介质 Suitable Medium | 水、油品、蒸气 Water, Oil, Steam | | 蒸气、油品 Steam, Oil |



主要外形和连接尺寸 Main External and Connection Dimension

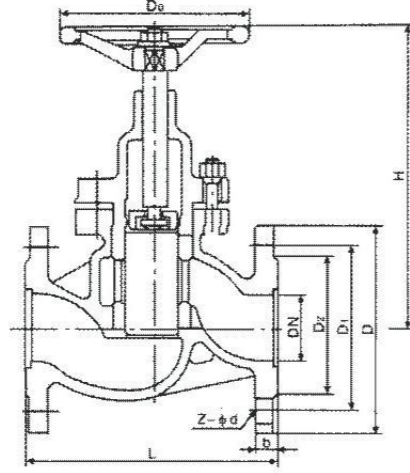
单位Unit:mm

| 产品型号 Type | 公称通径 DN | 主要外形尺寸和连接尺寸(mm) Main external and connecting dimensions | | | | WT (kg) |
|--|------------|---|-----|-----|------|---------|
| | | L | D1 | D2 | H | |
| J61H-200 J61Y-200 J961H-200 J961Y-200 | 20 | 170 | 22 | 42 | 480 | 38 |
| | 25 | 170 | 27 | 42 | 520 | 41 |
| | 32 | 200 | 34 | 52 | 728 | 58 |
| | 50 | 350 | 53 | 76 | 728 | 89 |
| | 80 | 500 | 86 | 108 | 798 | 135 |
| J61Y-250 J61Y-320 J961H-250 J961Y-320 | 100 | 600 | 107 | 161 | 890 | 190 |
| | 20 | 150 | 25 | 40 | 576 | 47 |
| | 25 | 170 | 27 | 42 | 585 | 49 |
| | 32 | 180 | 32 | 55 | 606 | 52 |
| | 50 | 250 | 50 | 83 | 722 | 73 |
| | 80 | 470 | 80 | 105 | 895 | 225 |
| | 100 | 600 | 100 | 142 | 1179 | 296 |

主要外形和连接尺寸 Main External and Connection Dimension

单位Unit:mm

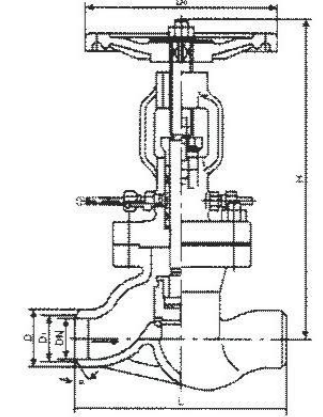
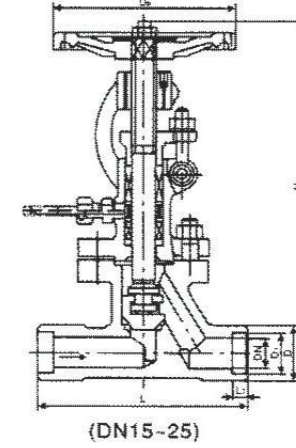
| 产品型号 Type | 公称通径 DN | 主要外形尺寸和连接尺寸(mm) Main external and connecting dimensions | | | | WT (kg) |
|--|------------|---|-----|-----|------|---------|
| | | L | D1 | D2 | H | |
| J61H-P ₅₄ 100V J61Y-P ₅₄ 140V J961H-P ₅₄ 100V J961Y-P ₅₄ 140V | 20 | 170 | 22 | 42 | 480 | 38 |
| | 25 | 170 | 27 | 42 | 520 | 41 |
| | 32 | 200 | 34 | 52 | 728 | 58 |
| | 50 | 350 | 53 | 76 | 728 | 89 |
| | 80 | 500 | 86 | 108 | 798 | 135 |
| J61H-P ₅₄ 170V J61Y-P ₅₄ 195V J961H-P ₅₄ 170V J961Y-P ₅₄ 195V | 100 | 600 | 107 | 161 | 890 | 190 |
| | 20 | 150 | 25 | 40 | 576 | 47 |
| | 25 | 170 | 27 | 42 | 585 | 49 |
| | 32 | 180 | 32 | 55 | 606 | 52 |
| | 50 | 250 | 50 | 83 | 722 | 73 |
| | 80 | 470 | 80 | 105 | 895 | 225 |
| | 100 | 600 | 100 | 142 | 1179 | 296 |



■ 主要外形和连接尺寸 Main External and Connection Dimension

单位Unit:mm

| 产品型号 Type | 公称通径 DN | PN1.6/2.5/4.0MPa | | | | | | | | | WT(kg) |
|-------------------------------------|------------|------------------|-----|----------------|----------------|----|---|--------|-----|-----|--------|
| | | L | D | D ₁ | D ₂ | b | f | Z-φd | H | Do | |
| U41S-16C U41S-16P U41S-16R | 15 | 130 | 95 | 65 | 45 | 14 | 2 | 4-φ14 | 128 | 80 | 3.5 |
| | 20 | 150 | 105 | 75 | 55 | 16 | 2 | 4-φ14 | 165 | 80 | 5 |
| | 25 | 160 | 115 | 85 | 65 | 16 | 2 | 4-φ14 | 190 | 100 | 6.5 |
| U41SM-16C U41SM-16P U41SM-16R | 32 | 180 | 135 | 100 | 78 | 18 | 2 | 4-φ18 | 216 | 120 | 9 |
| | 40 | 200 | 245 | 110 | 85 | 18 | 3 | 4-φ18 | 236 | 160 | 13 |
| | 50 | 230 | 160 | 125 | 100 | 20 | 3 | 4-φ18 | 250 | 180 | 17 |
| US41F-16C US41F-16P US41F-16R | 65 | 290 | 180 | 145 | 120 | 20 | 3 | 4-φ18 | 255 | 200 | 23 |
| | 80 | 310 | 195 | 160 | 135 | 22 | 3 | 8-φ18 | 255 | 280 | 31 |
| | 100 | 350 | 215 | 180 | 155 | 24 | 3 | 8-φ18 | 259 | 320 | 42 |
| U41S-25 U41S-25P U41S-25R | 125 | 400 | 245 | 210 | 185 | 26 | 3 | 8-φ18 | 352 | 360 | 73 |
| | 150 | 480 | 280 | 240 | 210 | 28 | 3 | 8-φ23 | 362 | 360 | 105 |
| | 200 | 600 | 335 | 295 | 265 | 30 | 3 | 12-φ23 | 385 | 450 | 210 |
| U41SM-25 U41SM-25P U41SM-25R | 15 | 130 | 95 | 65 | 45 | 16 | 2 | 4-φ14 | 133 | 100 | 3.7 |
| | 20 | 150 | 105 | 75 | 55 | 6 | 2 | 4-φ14 | 178 | 100 | 5.3 |
| | 25 | 160 | 115 | 85 | 65 | 16 | 2 | 4-φ14 | 180 | 120 | 6.8 |
| U41F-25 U41F-25P U41F-25R | 32 | 180 | 135 | 100 | 78 | 18 | 3 | 4-φ18 | 195 | 140 | 9.5 |
| | 40 | 200 | 145 | 110 | 85 | 18 | 3 | 4-φ18 | 220 | 180 | 13.5 |
| | 50 | 230 | 160 | 125 | 100 | 20 | 3 | 4-φ18 | 250 | 180 | 18 |
| U41S-40 U41S-40P U41S-40R | 65 | 290 | 180 | 145 | 120 | 22 | 3 | 8-φ18 | 272 | 200 | 25 |
| | 80 | 310 | 195 | 160 | 135 | 22 | 3 | 8-φ18 | 275 | 320 | 35 |
| | 100 | 350 | 230 | 190 | 160 | 24 | 3 | 8-φ23 | 312 | 360 | 47 |
| U41SM-40 U41SM-40P U41SM-40R | 125 | 400 | 270 | 220 | 188 | 28 | 3 | 8-φ25 | 365 | 450 | 78 |
| | 150 | 480 | 300 | 250 | 218 | 30 | 3 | 8-φ25 | 410 | 450 | 112 |
| | 200 | 600 | 360 | 310 | 278 | 34 | 3 | 12-φ25 | 450 | 500 | 220 |
| U41F-40 U41F-40P U41F-40R | 15 | 130 | 95 | 65 | 45 | 16 | 2 | 4-φ14 | 145 | 100 | 4 |
| | 20 | 150 | 105 | 75 | 55 | 16 | 2 | 4-φ18 | 195 | 100 | 6 |
| | 25 | 160 | 115 | 85 | 65 | 16 | 2 | 4-φ18 | 202 | 120 | 8 |
| U41S-40 U41S-40P U41S-40R | 32 | 180 | 135 | 100 | 75 | 18 | 2 | 4-φ23 | 226 | 140 | 12 |
| | 40 | 200 | 145 | 110 | 85 | 18 | 3 | 4-φ23 | 239 | 180 | 15 |
| | 50 | 230 | 160 | 125 | 100 | 20 | 3 | 4-φ23 | 265 | 180 | 22 |
| U41F-40 U41F-40P U41F-40R | 65 | 290 | 180 | 145 | 120 | 22 | 3 | 8-φ23 | 287 | 200 | 28 |
| | 80 | 310 | 195 | 160 | 135 | 22 | 3 | 8-φ23 | 301 | 320 | 39 |
| | 100 | 350 | 230 | 190 | 160 | 24 | 3 | 8-φ25 | 346 | 360 | 51 |
| U41SM-40 U41SM-40P U41SM-40R | 125 | 400 | 270 | 220 | 188 | 28 | 3 | 8-φ25 | 363 | 450 | 83 |
| | 150 | 480 | 300 | 250 | 218 | 30 | 3 | 8-φ25 | 415 | 450 | 114 |
| | 200 | 600 | 375 | 320 | 282 | 38 | 3 | 12-φ30 | 557 | 500 | 218 |



■ 主要外形和连接尺寸 Main External and Connection Dimension

单位Unit:mm

| 产品型号 Type | 公称通径 DN | PN2.5MPa | | | | | | | | WT (kg) |
|--------------------------|------------|----------|-----|----------------|---------|---------|----------------|-----|-----|------------|
| | | L | D | D ₁ | d | α | L ₁ | H | Do | |
| DS/J61H-25 DS/J61Y-25 | 15 | 130 | 36 | 19 | 15 | - | 11 | 257 | 120 | 5.0 |
| | 20 | 150 | 44 | 26 | 20 | - | 11 | 267 | 140 | 7.3 |
| | 25 | 160 | 44 | 33 | 24 | - | 12 | 269 | 140 | 8.2 |
| | 32 | 180 | 48 | 34 | 32 | 37° 30' | - | 255 | 180 | 12 |
| | 40 | 200 | 55 | 40 | 38 | 37° 30' | - | 395 | 200 | 15 |
| | 50 | 230 | 64 | 50 | 46 | 37° 30' | - | 354 | 250 | 25 |
| | 65 | 290 | 82 | 65 | 64 | 37° 30' | - | 400 | 250 | 38.5 |
| | 80 | 310 | 94 | 78 | 74 | 37° 30' | - | 425 | 300 | 49 |
| | 100 | 350 | 117 | 97 | 95 | 37° 30' | - | 468 | 350 | 64 |
| | 125 | 400 | 144 | 122 | 120 | 37° 30' | - | 475 | 400 | 83 |
| 150 | 480 | 170 | 148 | 145 | 37° 30' | - | 611 | 400 | 94 | |
| 200 | 600 | 220 | 197 | 193 | 37° 30' | - | 721 | 400 | 152 | |

■ 主要外形和连接尺寸 Main External and Connection Dimension

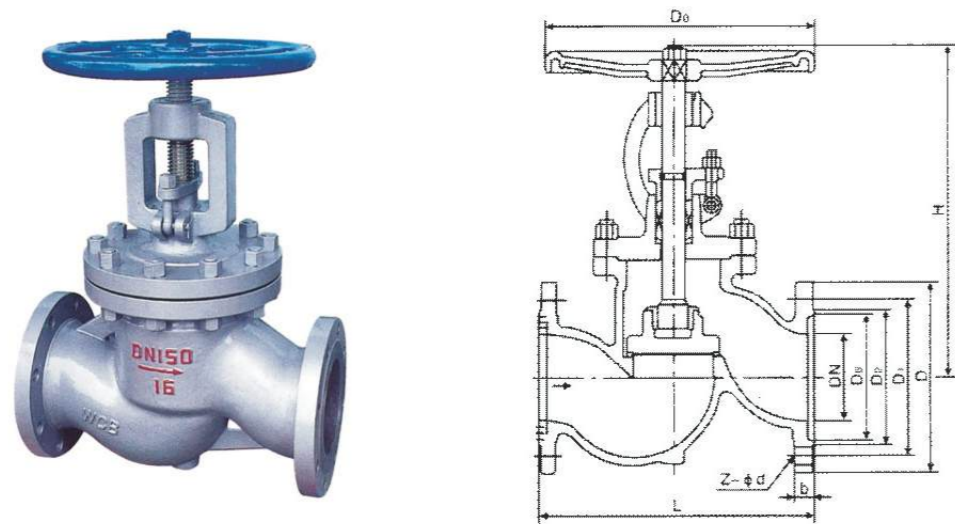
单位Unit:mm

| 产品型号 Type | 公称通径 DN | PN4.0MPa | | | | | | | | WT (kg) |
|--------------------------|------------|----------|-----|----------------|---------|---------|----------------|-----|-----|------------|
| | | L | D | D ₁ | d | α | L ₁ | H | Do | |
| DS/J61H-40 DS/J61Y-40 | 15 | 130 | 38 | 19 | 15 | - | 11 | 257 | 120 | 5.7 |
| | 20 | 150 | 47 | 26 | 20 | - | 11 | 267 | 140 | 7.6 |
| | 25 | 160 | 47 | 33 | 24 | - | 12 | 270 | 140 | 8.8 |
| | 32 | 180 | 53 | 34 | 32 | 37° 30' | - | 257 | 180 | 13.2 |
| | 40 | 200 | 57 | 40 | 38 | 37° 30' | - | 297 | 200 | 16.5 |
| | 50 | 230 | 68 | 50 | 46 | 37° 30' | - | 354 | 250 | 26 |
| | 65 | 290 | 85 | 65 | 64 | 37° 30' | - | 405 | 250 | 41.3 |
| | 80 | 310 | 98 | 78 | 74 | 37° 30' | - | 427 | 300 | 51.5 |
| | 100 | 350 | 122 | 97 | 95 | 37° 30' | - | 470 | 350 | 69 |
| | 125 | 400 | 148 | 122 | 120 | 37° 30' | - | 475 | 400 | 89 |
| 150 | 480 | 176 | 148 | 145 | 37° 30' | - | 614 | 400 | 98 | |

■ 主要外形和连接尺寸 Main External and Connection Dimension

单位Unit:mm

| 产品型号 Type | 公称通径 DN | PN6.4MPa | | | | | | | | WT (kg) |
|--------------------------|------------|----------|-----|----------------|----|---------|----------------|-----|-----|------------|
| | | L | D | D ₁ | d | α | L ₁ | H | Do | |
| DS/J61H-64 DS/J61Y-64 | 15 | 210 | 38 | 19 | 15 | - | 11 | 257 | 140 | 6.4 |
| | 20 | 230 | 47 | 26 | 19 | - | 11 | 269 | 160 | 8.4 |
| | 25 | 230 | 47 | 33 | 24 | - | 12 | 273 | 180 | 9.6 |
| | 32 | 260 | 53 | 34 | 32 | 37° 30' | - | 259 | 200 | 23 |
| | 40 | 260 | 57 | 40 | 38 | 37° 30' | - | 297 | 250 | 34 |
| | 50 | 300 | 70 | 50 | 46 | 37° 30' | - | 256 | 280 | 46 |
| | 65 | 340 | 86 | 65 | 62 | 37° 30' | - | 405 | 320 | 67 |
| | 80 | 380 | 100 | 78 | 74 | 37° 30' | - | 429 | 360 | 85 |
| | 100 | 430 | 124 | 97 | 95 | 37° 30' | - | 477 | 400 | 97 |



主要外形和连接尺寸 Main External and Connection Dimension

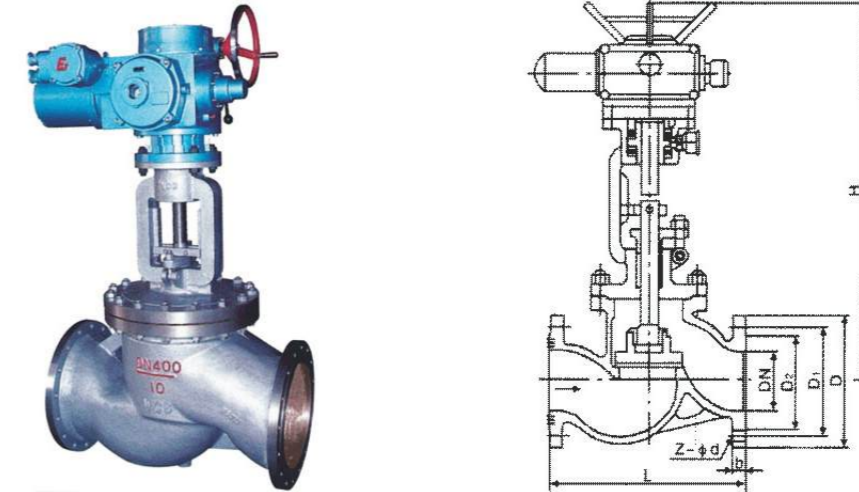
单位Unit:mm

| 产品型号 Type | 公称通径 DN | PN4.0MPa | | | | | | | | | WT(kg) | |
|--|------------|----------|-----|----------------|----------------|----------------|----|--------|-----|-----|--------|------|
| | | L | D | D ₁ | D ₂ | D ₆ | b | Z-φd | H | Do | J41 | J941 |
| J41H-40 J41Y-40 J41B-40 J41W-40 | 15 | 130 | 95 | 65 | 45 | 40 | 16 | 4-φ14 | 233 | 120 | 4.5 | 5.52 |
| | 20 | 150 | 105 | 75 | 55 | 51 | 16 | 4-φ14 | 275 | 140 | 5 | 7.1 |
| | 25 | 160 | 115 | 85 | 65 | 58 | 16 | 4-φ14 | 285 | 160 | 7 | 8.7 |
| | 32 | 180 | 135 | 100 | 78 | 66 | 18 | 4-φ18 | 302 | 180 | 9 | 11.8 |
| J41Y-40 J41Y-40 J41Y-40 | 40 | 200 | 145 | 110 | 85 | 76 | 18 | 4-φ18 | 355 | 200 | 12 | 16.5 |
| | 50 | 230 | 160 | 125 | 100 | 88 | 20 | 4-φ18 | 373 | 240 | 24 | 24 |
| | 65 | 290 | 180 | 145 | 120 | 110 | 22 | 8-φ18 | 408 | 280 | 33 | 33 |
| J941H-40 J941Y-40 J941B-40 J941W-40 | 80 | 310 | 195 | 160 | 135 | 121 | 22 | 8-φ18 | 436 | 320 | 44 | 44 |
| | 100 | 350 | 230 | 190 | 160 | 150 | 24 | 8-φ23 | 480 | 360 | 60 | 60 |
| | 125 | 400 | 270 | 220 | 188 | 176 | 28 | 8-φ25 | 558 | 400 | 89 | 93 |
| J941Y-40 J941W-40 J941Y-40 | 150 | 480 | 300 | 250 | 218 | 204 | 30 | 8-φ25 | 611 | 400 | 98 | 102 |
| | 200 | 600 | 375 | 320 | 282 | 260 | 38 | 12-φ30 | 720 | 400 | 170 | 175 |

主要外形和连接尺寸 Main External and Connection Dimension

单位Unit:mm

| 产品型号 Type | 公称通径 DN | PN6.4MPa | | | | | | | | | WT(kg) |
|-------------------------------------|------------|----------|-----|----------------|----------------|----------------|--------|-------|-----|-----|--------|
| | | L | D | D ₁ | D ₂ | D ₆ | b | Z-φd | H | Do | |
| J41H-64 J41Y-64 | 15 | 170 | 105 | 75 | 55 | 41 | 18 | 4-φ14 | 195 | 140 | 5.5 |
| | 20 | 190 | 125 | 90 | 68 | 51 | 20 | 4-φ18 | 228 | 160 | 7.5 |
| J41Y-64P J41Y-64R J41Y-64I | 25 | 210 | 135 | 100 | 78 | 58 | 22 | 4-φ18 | 275 | 180 | 9.1 |
| | 32 | 230 | 150 | 110 | 82 | 66 | 24 | 4-φ23 | 325 | 200 | 12.0 |
| | 40 | 260 | 165 | 125 | 95 | 76 | 24 | 4-φ23 | 360 | 240 | 18 |
| J941H-64 J941Y-64 J941B-64 | 50 | 300 | 175 | 135 | 105 | 88 | 26 | 8-φ23 | 410 | 280 | 26 |
| | 65 | 340 | 200 | 160 | 130 | 110 | 28 | 8-φ23 | 450 | 320 | 36 |
| J941Y-64P J941W-64R J941Y-64I | 80 | 380 | 210 | 170 | 140 | 121 | 30 | 8-φ23 | 485 | 360 | 48 |
| | 100 | 430 | 250 | 200 | 168 | 150 | 32 | 8-φ25 | 537 | 400 | 68 |
| | 125 | 500 | 295 | 240 | 202 | 176 | 36 | 8-φ30 | 631 | 400 | 96 |
| | 150 | 550 | 340 | 280 | 240 | 204 | 38 | 8-φ34 | 646 | 450 | 107 |
| 200 | 650 | 405 | 345 | 300 | 260 | 44 | 12-φ34 | 813 | 500 | 182 | |



主要外形和连接尺寸 Main External and connection Dimension

单位Unit:mm

| 产品型号 Type | 公称通径 DN | PN10.0MPa | | | | | | | | | WT(kg) |
|--|------------|-----------|-----|----------------|----------------|----------------|----|--------|-----|-----|--------|
| | | L | D | D ₁ | D ₂ | D ₆ | b | Z-φd | H | Do | |
| J41H-100 J41Y-100 | 15 | 170 | 105 | 75 | 55 | 40 | 20 | 4-φ14 | 202 | 140 | 11 |
| | 20 | 190 | 125 | 90 | 68 | 51 | 22 | 4-φ18 | 228 | 160 | 14 |
| | 25 | 210 | 135 | 100 | 78 | 58 | 24 | 4-φ18 | 250 | 180 | 17 |
| | 32 | 230 | 150 | 110 | 82 | 66 | 24 | 4-φ23 | 326 | 220 | 22 |
| J41Y-100P J41Y-100R J41Y-100I | 40 | 260 | 165 | 125 | 95 | 76 | 26 | 4-φ23 | 359 | 240 | 29 |
| | 50 | 300 | 195 | 145 | 112 | 88 | 28 | 4-φ25 | 414 | 280 | 39 |
| J941H-100 J941Y-100 | 65 | 340 | 220 | 170 | 138 | 110 | 32 | 8-φ25 | 434 | 320 | 54 |
| | 80 | 380 | 230 | 180 | 148 | 121 | 34 | 8-φ25 | 547 | 400 | 75 |
| | 100 | 430 | 265 | 210 | 172 | 150 | 38 | 8-φ30 | 621 | 450 | 125 |
| J941Y-100P J941W-100R J941Y-100I | 125 | 500 | 310 | 250 | 210 | 176 | 42 | 8-φ34 | 732 | 450 | 266 |
| | 150 | 550 | 350 | 290 | 250 | 204 | 46 | 12-φ34 | 840 | 500 | 310 |
| | 200 | 650 | 430 | 360 | 312 | 260 | 54 | 12-φ41 | 925 | 550 | 590 |

主要外形和连接尺寸 Main External and Connection Dimension

单位Unit:mm

| 产品型号 Type | 公称通径 DN | PN16.0MPa | | | | | | | | | WT(kg) | |
|--|------------|-----------|-----|----------------|----------------|----------------|----|-------|-----|-----|--------|------|
| | | L | D | D ₁ | D ₂ | D ₆ | b | Z-φd | H | Do | J41 | J941 |
| J41H-160 J41Y-160 | 15 | 170 | 110 | 75 | 52 | 40 | 24 | 4-φ18 | 148 | 140 | 5 | 6 |
| | 20 | 190 | 130 | 90 | 65 | 51 | 26 | 4-φ23 | 156 | 160 | 8 | 7 |
| J41Y-160P J41Y-160R J41Y-160I | 25 | 210 | 140 | 100 | 72 | 58 | 28 | 4-φ23 | 125 | 180 | 10 | 19 |
| | 32 | 230 | 165 | 115 | 85 | 66 | 30 | 4-φ25 | 200 | 200 | 12 | 25 |
| J941H-160 J941Y-160 | 40 | 260 | 175 | 125 | 92 | 76 | 32 | 4-φ27 | 231 | 240 | 15 | 33 |
| | 50 | 300 | 215 | 165 | 132 | 88 | 36 | 8-φ25 | 262 | 250 | 30 | 45 |
| J941Y-160P J941Y-160R J941Y-160I | 65 | 340 | 245 | 190 | 152 | 110 | 44 | 8-φ30 | 303 | 320 | 65 | 65 |
| | 80 | 380 | 260 | 205 | 168 | 121 | 46 | 8-φ30 | 341 | 400 | 83 | 83 |
| | 100 | 430 | 300 | 240 | 200 | 150 | 48 | 8-φ34 | 485 | 450 | 125 | 142 |

截止阀系列 GLOBE VALVES

主要特点

- ※流线型, 明杆带支架
- ※中法兰螺栓连接
- ※活套连接阀瓣
- ※升降阀杆与手轮
- ※支架与阀盖一体式
- ※伞齿轮操作选配
- ※标准法兰连接

CHIDF FEATURES

- ※STREAMLINE, OUTSIDE SCREW AND YOKE
- ※BOLTE BONNET
- ※LOOSE DISC
- ※RISING STEM AND HANDWHEEL
- ※YOKE INTEGRAL WITH BONNET
- ※AVAILABLE WITH GEAR OPERATOR
- ※FLANGED END

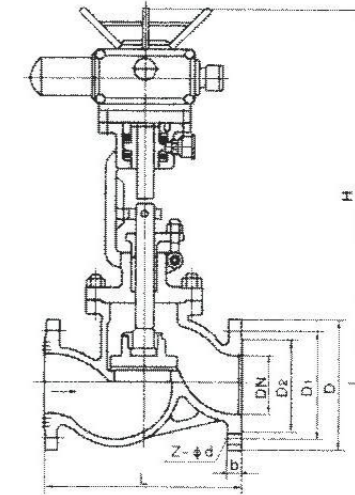
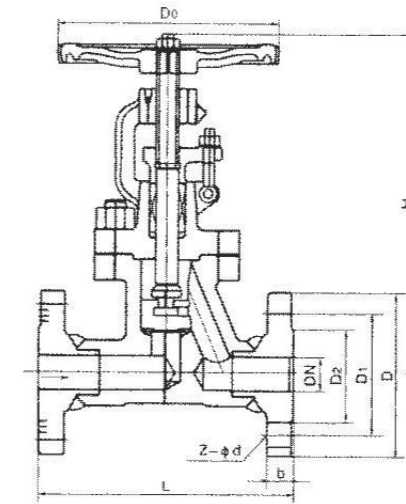


产品规范 Product Specification

| 产品规范 Product Specification | 设计规范 Design Spec. | 结构长度 Face to Face | 连接法兰 Flange End | 试验与检验 Test & Check | 压力-温度 Pressure-Temp | 产品标识 Marking | 供货规范 Supply |
|----------------------------------|----------------------|----------------------|--------------------|-----------------------|------------------------|-----------------|----------------|
| | GB/T12235 | GB/T12221 | JB/T79 | JB/T9092 | GB/T9131 | GB/T12220 | JB/T7928 |

主要零部件材料 Main Part Material

| 零件名称 Part name | 零部件材料 Part Material | | | |
|----------------------|---------------------------------|---------------------|--------------------|--------------------|
| 阀体、阀盖 Body, Bonnet | WCB | ZGCr5Mo | ZG1Cr18Ni9Ti | ZG0Cr18Ni12Mo2Ti |
| 阀板, Disc | WCB | Z5Cr2MoV | 1Cr18Ni9Ti | 1Cr18Ni12Mo2Ti |
| 阀杆 Stem | 2Cr13 | 25Cr2MoV | 1Cr18Ni9Ti | 1Cr18Ni12Mo2Ti |
| 填料 Packing | 柔性石墨/Flexible Graphite | | 聚四氟乙稀/PTFE | |
| 垫片 Gasket | 18-8/柔性石墨/18-8Flexible Graphite | | | |
| 螺栓 Bolt | 35/35CrMo | 25CrMoV | 1Cr18Ni9Ti | 1Cr18Ni9Ti |
| 适用温度 Suitable Temp. | -29~425℃ | -29~425℃ | -40~200℃ | -40~200℃ |
| 适用介质 Suitable Medium | 水、油品、蒸汽 Water, Oil, Steam | 蒸汽、油品 Steam, Oil | 硝酸类 Nitric Acid | 醋酸类 Acetic Acid |



主要外形和连接尺寸 Main External and Connection Dimension

单位Unit:mm

| 产品型号 Type | 公称通径 DN | PN1.6MPa | | | | | | | | WT(kg) | |
|--|------------|----------|-----|----------------|----------------|----|--------|-----|-----|--------|------|
| | | L | D | D ₁ | D ₂ | b | Z-φd | H | Do | J41 | J941 |
| J41H-16C J41Y-16C J41B-16C J41W-16P | 15 | 130 | 95 | 65 | 45 | 16 | 4-φ14 | 218 | 120 | 4.8 | 5.2 |
| | 20 | 150 | 105 | 75 | 55 | 16 | 4-φ14 | 258 | 140 | 6.5 | 7.1 |
| | 25 | 160 | 115 | 85 | 65 | 16 | 4-φ14 | 275 | 160 | 7.0 | 7.4 |
| | 32 | 180 | 135 | 100 | 78 | 18 | 4-φ18 | 280 | 180 | 8.2 | 8.5 |
| J41Y-16P J41Y-16R J41Y-16I | 40 | 200 | 145 | 110 | 85 | 18 | 4-φ18 | 330 | 200 | 11.0 | 12.5 |
| | 50 | 230 | 160 | 125 | 100 | 18 | 4-φ18 | 350 | 240 | 14.5 | 20 |
| | 65 | 290 | 180 | 145 | 120 | 18 | 4-φ18 | 400 | 280 | 21.5 | 25 |
| J941H-16C J941Y-16C J941B-16C J941W-16P | 80 | 310 | 195 | 160 | 135 | 20 | 8-φ18 | 355 | 280 | 27 | 35 |
| | 100 | 350 | 215 | 180 | 155 | 22 | 8-φ18 | 415 | 320 | 30 | 50 |
| | 125 | 400 | 245 | 210 | 185 | 24 | 8-φ18 | 460 | 360 | 84 | 75 |
| | 150 | 480 | 280 | 240 | 210 | 24 | 8-φ23 | 510 | 400 | 91 | 100 |
| J941Y-16P J941W-16R J941Y-16I | 200 | 600 | 335 | 295 | 265 | 26 | 12-φ23 | 710 | 400 | 148 | 210 |
| | 250 | 730 | 405 | 355 | 320 | 30 | 12-φ23 | 766 | 450 | 405 | 446 |
| | 300 | 850 | 460 | 410 | 375 | 30 | 12φ-23 | 925 | 500 | 610 | 648 |

主要外形和连接尺寸 Main External and Connection Dimension

单位Unit:mm

| 产品型号 Type | 公称通径 DN | PN2.5MPa | | | | | | | | WT(kg) |
|---|------------|----------|-----|----------------|----------------|----|--------|-----|-----|--------|
| | | L | D | D ₁ | D ₂ | b | Z-φd | H | Do | J41 |
| J41H-25 J41Y-25 J41B-25 J41W-25P | 15 | 130 | 95 | 65 | 45 | 16 | 4-φ14 | 218 | 120 | 5 |
| | 20 | 150 | 105 | 75 | 55 | 16 | 4-φ14 | 258 | 140 | 6.9 |
| | 25 | 160 | 115 | 85 | 65 | 16 | 4-φ14 | 275 | 160 | 7.4 |
| | 32 | 180 | 135 | 100 | 78 | 18 | 4-φ18 | 280 | 180 | 8.5 |
| J41Y-25P J41Y-25R J41Y-25I | 40 | 200 | 145 | 110 | 85 | 18 | 4-φ18 | 330 | 200 | 12.5 |
| | 50 | 230 | 160 | 125 | 100 | 20 | 4-φ18 | 350 | 240 | 16 |
| | 65 | 290 | 180 | 145 | 120 | 22 | 4-φ18 | 400 | 280 | 25 |
| J941H-25 J941Y-25 J941B-25 J941W-25P | 80 | 310 | 195 | 160 | 135 | 22 | 8-φ18 | 355 | 280 | 30 |
| | 100 | 350 | 230 | 190 | 160 | 24 | 8-φ23 | 415 | 320 | 34.5 |
| | 125 | 400 | 270 | 220 | 188 | 28 | 8-φ25 | 460 | 360 | 89 |
| | 150 | 480 | 300 | 250 | 218 | 30 | 8-φ25 | 510 | 400 | 98 |
| J941Y-25P J941W-25R J941Y-25I | 200 | 600 | 360 | 310 | 278 | 34 | 12-φ25 | 710 | 400 | 170 |
| | 250 | 730 | 425 | 370 | 332 | 36 | 12-φ30 | 766 | 450 | 446 |
| | 300 | 850 | 485 | 430 | 390 | 40 | 12φ-30 | 925 | 500 | 654 |

主要特点

- ※全通径，暗杆操作
- ※中法兰螺栓连接
- ※整体包胶闸板
- ※平底式阀座，无杂质沉淀
- ※多重动密封设计
- ※阀体外表粉体环氧树脂涂装
- ※法兰连接
- ※生饮卫生声场合适用

CHIDF FEATURES

- ※FULL POUT, NONRISING STEM OPERATE
- ※BOLTED BONNET
- ※WEDGE INTEGRAL
- ※MULTI-MOVE SEAL DESIGN
- ※SURFACE PAINTING RESIN
- ※FLANGED ENDS
- ※SUIT ABLE FOU DUINK CONDITION

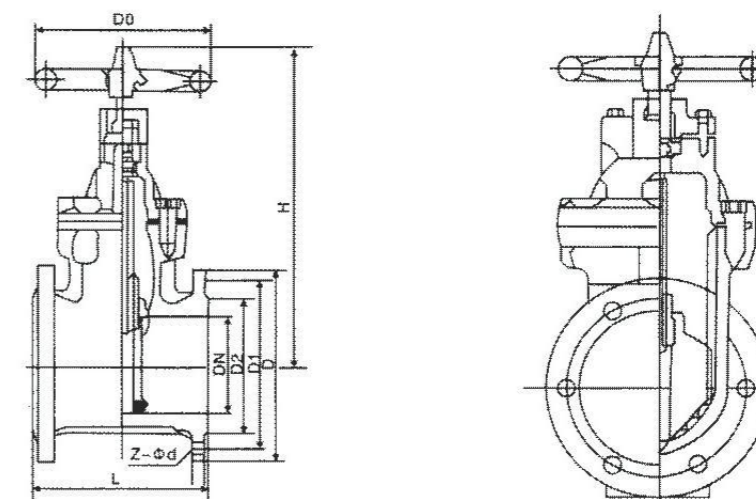


产品规范 Product Specification

| 产品规范 Product Specification | 设计规范 Design Spec. | 结构长度 Face to Face | 连接法兰 Flange End | 试验与检验 Test & Check | 产品标识 Marking | 供货规范 Supply |
|----------------------------------|----------------------|----------------------|--------------------|-----------------------|-----------------|----------------|
| | AWWA C509-94 | GB/T 12221 | GB 9113 | GB/T 13927 | GB/T 12220 | JB/T 7928 |

主要零部件材料 Main Part Material

| 零件名称 Part name | 零部件材料 Part Material | |
|----------------------|--|-----------|
| 阀体、阀盖 Body, Bonnet | HT200 | QT450-10 |
| 闸板、阀瓣 Wedge, Disc | HT200+NBR | QT450+NBR |
| 阀杆 Stem | 2Cr13 | 2Cr13 |
| 填料 Packing | NBR | NBR |
| 适用温度 Suitable Temp. | -15~121℃ | -30~121℃ |
| 适用介质 Suitable Medium | 水、海水、污水、油品、纸浆等 Water, Sea Water, Sewage, Oil, Paper Pulp Etc. | |



主要外形和连接尺寸 Main External and Connection Dimension

单位Unit:mm

| 产品型号 Type | 公称通径 DN | L | D | D1 | | D2 | b | Z-φd | | H | Do |
|------------------------------|------------|-----|-----|------|------|------|--------|--------|--------|------|-----|
| | | | | PN10 | PN16 | | | PN10 | PN16 | | |
| Z45X/RVCX-10 Z45X/RVCX-16 | 50 | 180 | 100 | 125 | - | 155 | 18 | 4-φ19 | 4-φ19 | 365 | 200 |
| | 65 | 190 | 118 | 145 | - | 185 | 19 | 4-φ19 | 4-φ19 | 442 | 200 |
| | 80 | 240 | 125 | 160 | - | 211 | 21 | 8-φ19 | 8-φ19 | 540 | 250 |
| | 100 | 250 | 152 | 180 | - | 238 | 21 | 8-φ19 | 8-φ19 | 616 | 250 |
| | 125 | 254 | 184 | 210 | - | 250 | 19 | 8-φ19 | 8-φ19 | 710 | 340 |
| Z45X/RVHX-10 Z45X/RVHX-16 | 150 | 280 | 204 | 240 | - | 290 | 22 | 8-φ23 | 8-φ23 | 812 | 340 |
| | 200 | 300 | 256 | 295 | - | 342 | 23 | 8-φ23 | 12-φ23 | 1010 | 400 |
| | 250 | 380 | 308 | 350 | 355 | 410 | 24 | 12-φ23 | 12-φ28 | 1180 | 450 |
| | 300 | 400 | 362 | 400 | 410 | 464 | 25 | 12-φ23 | 12-φ28 | 1385 | 500 |
| | 350 | 430 | 414 | 460 | 470 | 530 | 26 | 16-φ23 | 16-φ28 | 1542 | 560 |
| | 400 | 406 | 480 | 215 | 525 | 580 | 28 | 16-φ28 | 16-φ31 | 1759 | 640 |
| | 450 | 432 | 530 | 565 | 585 | 640 | 30 | 20-φ28 | 20-φ31 | 1972 | 720 |
| 500 | 457 | 585 | 620 | 650 | 715 | 31.5 | 20-φ28 | 20-φ34 | - | 720 | |
| 600 | 508 | 685 | 685 | 770 | 840 | 36 | 20-φ31 | 20-φ37 | - | 800 | |

主要外形和连接尺寸 Main External and Connection Dimension

单位Unit:mm

| 产品型号 Type | 公称通径 DN | L | PN1.0MPa | | | | PN1.6MPa | | | | D2 | H | Do | |
|------------------------------|--------------------------------|-----|----------|-----|--------|--------|----------|-----|--------|--------|--------|-----|-----|-----|
| | | | D | D1 | b | Z-φd | D | D1 | b | Z-φd | | | | |
| Z41X/RRHX-10 Z41X/RRHX-16 | 40 | 165 | 150 | 110 | 28 | 4-φ18 | 150 | 110 | 18 | 4-φ18 | 84 | 75 | 160 | |
| | 50 | 178 | 165 | 125 | 20 | 4-φ18 | 165 | 125 | 20 | 4-φ18 | 99 | 82 | 160 | |
| | 65 | 190 | 185 | 145 | 20 | 4-φ18 | 285 | 145 | 20 | 4-φ18 | 118 | 92 | 180 | |
| | 80 | 203 | 200 | 160 | 22 | 4-φ18 | 200 | 160 | 20 | 4-φ18 | 132 | 100 | 180 | |
| | 100 | 229 | 220 | 180 | 22 | 8-φ18 | 220 | 180 | 22 | 8-φ18 | 156 | 110 | 240 | |
| | 125 | 254 | 250 | 210 | 24 | 8-φ18 | 250 | 210 | 22 | 8-φ18 | 184 | 133 | 280 | |
| | Z941X/RRHX-10 Z941X/RRHX-16 | 150 | 267 | 285 | 240 | 24 | 8-φ22 | 285 | 240 | 24 | 8-φ22 | 211 | 142 | 340 |
| | | 200 | 292 | 340 | 295 | 26 | 8-φ22 | 340 | 295 | 24 | 12-φ22 | 166 | 170 | 400 |
| | | 250 | 330 | 395 | 350 | 28 | 12-φ22 | 405 | 355 | 26 | 12-φ26 | 319 | 202 | 450 |
| | | 300 | 356 | 440 | 400 | 28 | 12-φ22 | 460 | 410 | 28 | 12-φ26 | 370 | 230 | 500 |
| 350 | | 381 | 520 | 460 | 30 | 16-φ22 | 520 | 470 | 30 | 16-φ26 | 429 | 260 | 560 | |
| 400 | | 406 | 580 | 515 | 32 | 16-φ26 | 580 | 525 | 32 | 16-φ30 | 480 | 290 | 640 | |
| 450 | | 432 | 640 | 565 | 32 | 20-φ26 | 640 | 585 | 34 | 20-φ30 | 530 | 320 | 720 | |
| 500 | | 457 | 715 | 620 | 34 | 20-φ26 | 715 | 650 | 36 | 20-φ33 | 585 | 357 | 720 | |
| 600 | 508 | 810 | 725 | 36 | 20-φ30 | 840 | 725 | 38 | 20-φ36 | 685 | 420 | 800 | | |

锻钢阀门系列 FORGED VALVES

主要特点

- ※ 缩径, 明杆带支架
- ※ 中法兰螺栓连接
- ※ 刚性闸板
- ※ 美标结构改进型
- ※ 阀杆升降, 手轮不升降
- ※ 法兰连接
- ※ 内螺纹连接
- ※ 承插焊连接
- ※ 对焊连接

CHIEF FEATURES

- ※ REDUCED, OUTSIDE SCREW AND YOKE (OS&Y)
- ※ BOLTED BONNET
- ※ RIGIDITY WEDGE FULLY GUIDED
- ※ STRUCTURE IMPROVE ON API
- ※ RISING STEM AND NON-RISING HANDWHEEL
- ※ FLANGED ENDS
- ※ INSIDE SCREW ENDS
- ※ SOCKET WELD ENDS
- ※ BULL-WELDING ENDS

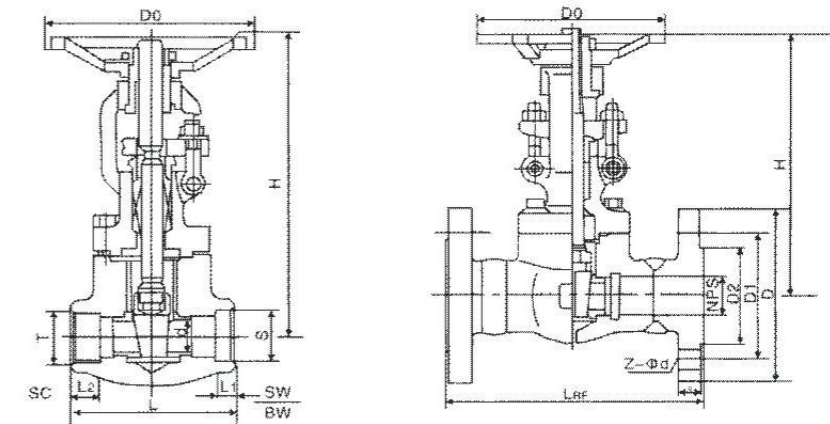


产品规范 Product Specification

| 产品规范 Product Specification | 设计规范 Design Spec. | 结构长度 Face to Face | 对焊连接 BW End | 试验与检验 Test & Check | 压力-温度 Pressure-Temp. | 产品标识 Marking | 供货规范 Supply |
|----------------------------------|----------------------|----------------------|----------------|-----------------------|-------------------------|-----------------|----------------|
| | JB/T 7746 | JB/T 7746 | JB/T 79 | JB/T 9092 | GB/T 9131 | GB/T 12220 | JB/T 7928 |

主要零部件材料 Main Part Material

| 零件名称 Part name | 零部件材料 Part Material | |
|----------------------|---------------------------------|--------------------|
| 阀体、阀盖 Body, Bonnet | 25 | 1Cr18Ni9Ti |
| 闸板、闸瓣 Wedge, Disc | 2Cr13 | 1Cr18Ni9Ti |
| 阀杆 Stem | 2Cr13 | 1Cr18Ni9Ti |
| 密封圈 Seal Ring | 1Cr13+HF | 1Cr18Ni9Ti+STL |
| 填料 Packing | 柔性石墨/Flexible Graphite | 聚四氟乙烯/PTFE |
| 垫片 Gasket | 18-8/柔性石墨/18-8Flexible Graphite | |
| 螺栓 Bolt | 35/35CrMo | 1Cr18Ni9Ti |
| 适用温度 Suitable Temp. | -29~425°C | -40~200°C |
| 适用介质 Suitable Medium | 水、油品、蒸汽 Water, oil, steam | 硝酸类 Nitric Acid |



主要外形和连接尺寸 Main External and Connection Dimension

单位Unit:mm

| 产品型号 Type | 公称口径 DN | PN1.6/2.5/4.0/6.4MPa | | | | | | | | WT(kg) |
|--------------|------------|----------------------|----|------|----|--------|----|-----|-----|--------|
| | | L | D | S | L1 | T | L2 | H | Do | |
| Z41H-16C | 15 | 90 | 13 | 22.5 | 10 | 1/2" | 15 | 151 | 118 | 6.9 |
| Z41H-25 | 20 | 100 | 18 | 28.5 | 11 | 3/4" | 17 | 182 | 130 | 9.8 |
| Z41H-40 | 25 | 120 | 23 | 24.5 | 12 | 1" | 19 | 197 | 150 | 13.5 |
| Z11H-16C | 32 | 130 | 28 | 43 | 14 | 1 1/4" | 21 | 212 | 180 | 19.5 |
| Z11H-25 | 40 | 150 | 36 | 49 | 15 | 1 1/2" | 21 | 231 | 180 | 28.5 |
| Z11H-40 | 50 | 155 | 45 | 61 | 16 | 2" | 25 | 253 | 180 | 30.3 |
| Z41H-64 | 15 | 90 | 13 | 22.5 | 10 | 1/2" | 15 | 151 | 118 | 7.7 |
| Z11H-64 | 20 | 100 | 18 | 28.5 | 11 | 3/4" | 17 | 182 | 130 | 11.3 |
| Z61H-64 | 25 | 120 | 23 | 34.5 | 12 | 1" | 19 | 197 | 150 | 16.8 |
| | 32 | 130 | 28 | 43 | 14 | 1 1/4" | 21 | 212 | 180 | 21.2 |
| | 40 | 150 | 36 | 49 | 15 | 1 1/2" | 21 | 231 | 180 | 32.6 |
| | 50 | 155 | 45 | 61 | 16 | 2" | 25 | 253 | 180 | 35 |

主要外形和连接尺寸 Main External and Connection Dimension

单位Unit:mm

| 产品型号 Type | 公称口径 DN | PN10.0/16.0MPa Class 800Lb | | | | | | | | WT(kg) |
|--|------------|----------------------------|----|------|----|--------|----|-----|-----|--------|
| | | L | D | S | L1 | T | L2 | H | Do | |
| Z41Y-100 Z11Y-100 Z61Y-100 | 15 | 90 | 13 | 22.5 | 10 | 1/2" | 15 | 151 | 118 | 7.8 |
| | 20 | 100 | 18 | 28.5 | 11 | 3/4" | 17 | 182 | 130 | 12.5 |
| | 25 | 120 | 23 | 24.5 | 12 | 1" | 19 | 197 | 150 | 17.5 |
| | 32 | 130 | 28 | 43 | 14 | 1 1/4" | 21 | 212 | 180 | 23.5 |
| | 40 | 150 | 36 | 49 | 15 | 1 1/2" | 21 | 231 | 180 | 38.5 |
| Z41Y-160 Z11Y-160 Z61Y-160 | 50 | 155 | 45 | 61 | 16 | 2" | 25 | 253 | 180 | 42.2 |
| | 15 | 90 | 13 | 22.5 | 10 | 1/2" | 15 | 151 | 118 | 8.0 |
| | 20 | 100 | 18 | 28.5 | 11 | 3/4" | 17 | 182 | 130 | 13.6 |
| Z41Y-800Lb Z11Y-800Lb Z61Y-800Lb | 25 | 120 | 23 | 34.5 | 12 | 1" | 19 | 197 | 150 | 19.4 |
| | 32 | 130 | 28 | 43 | 14 | 1 1/4" | 21 | 212 | 180 | 25.1 |
| | 40 | 150 | 36 | 49 | 15 | 1 1/2" | 21 | 231 | 180 | 41.6 |
| | 50 | 155 | 45 | 61 | 16 | 2" | 25 | 253 | 180 | 49.0 |